



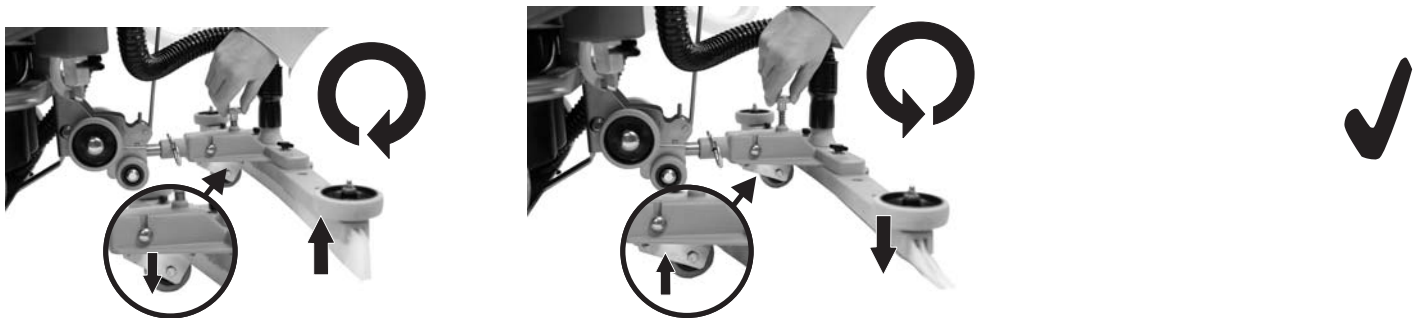
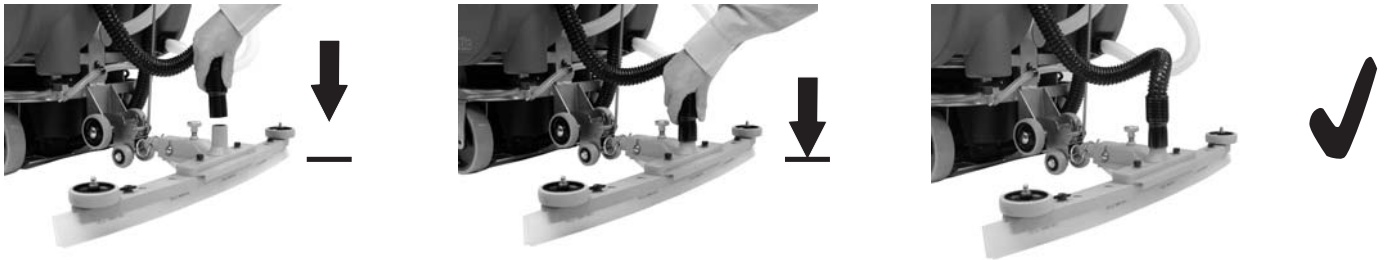
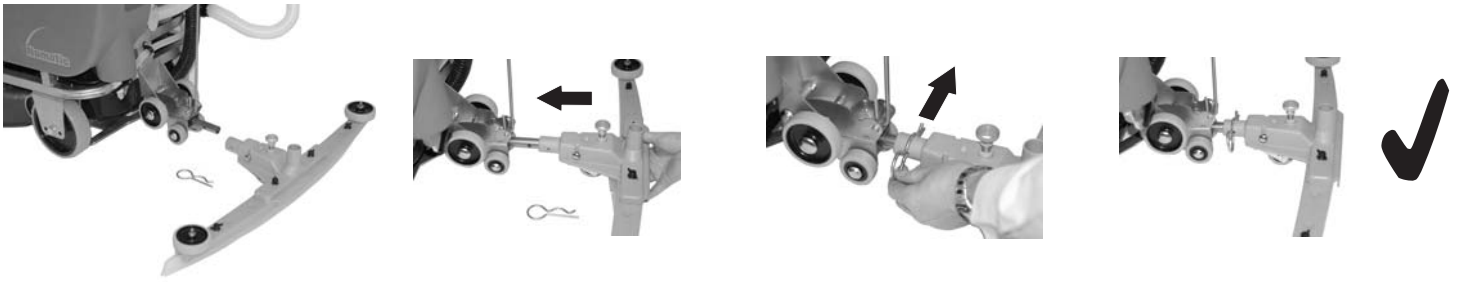
TT-3450S

TT-4550S

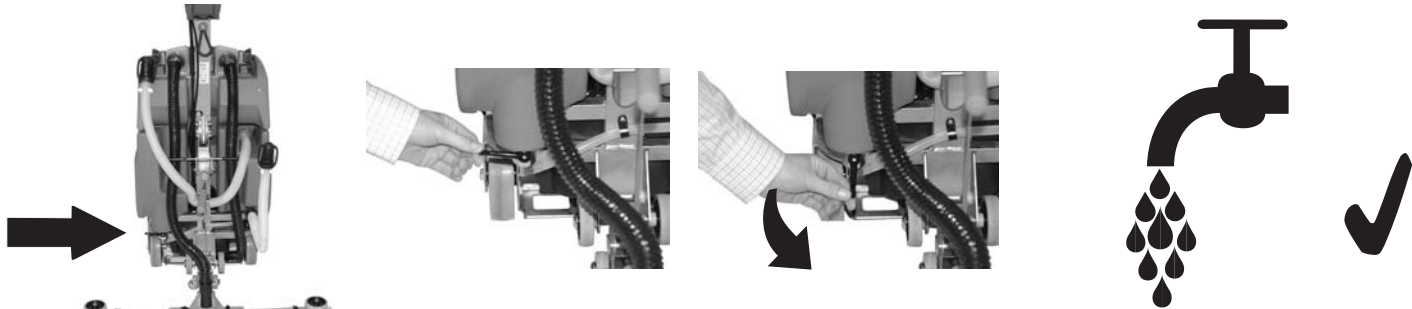
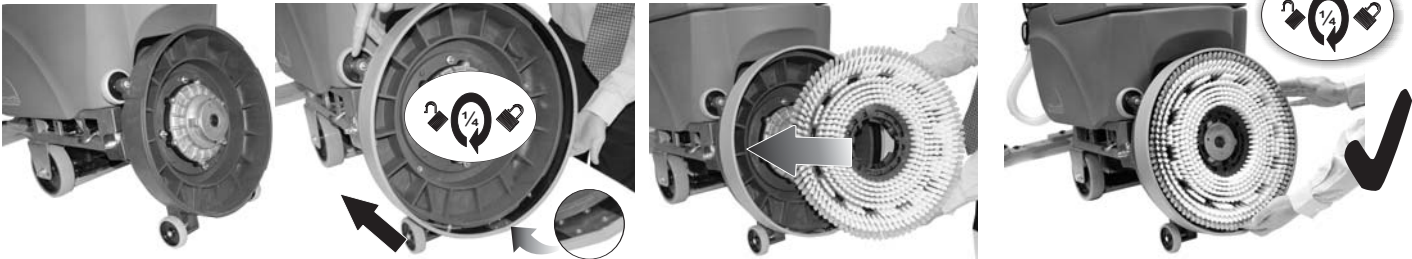
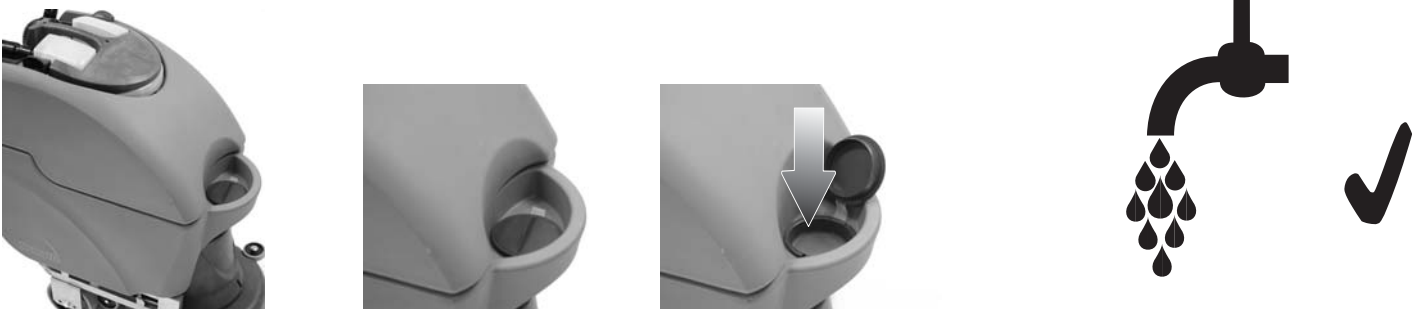
Numatic

**OPERATING INSTRUCTIONS
+ SPARE PARTS MANUAL**

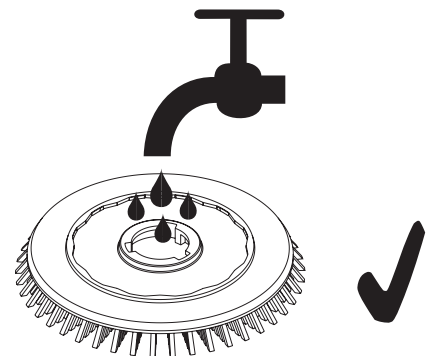
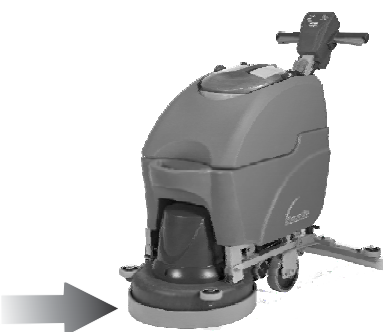
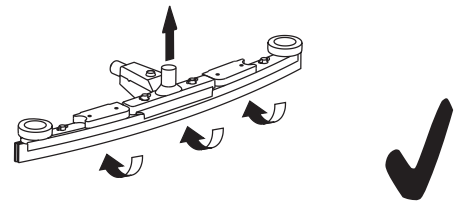
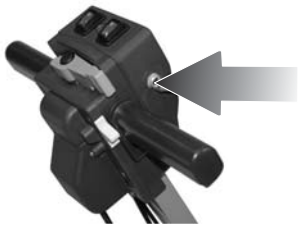
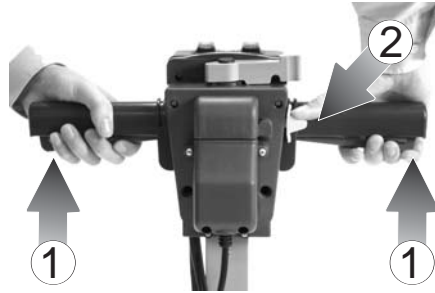
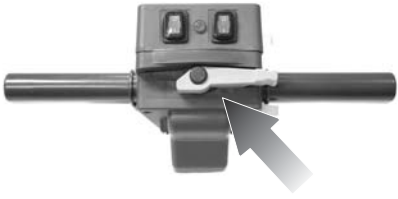
MAINS OPERATED MACHINES



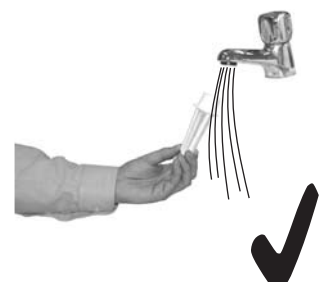
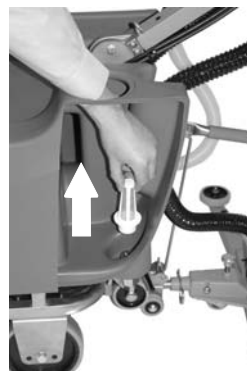
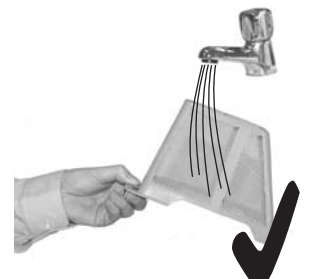
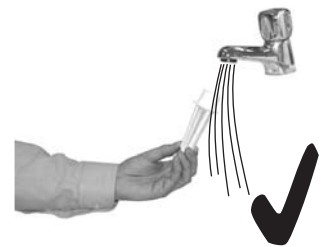
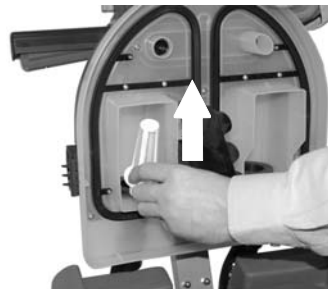
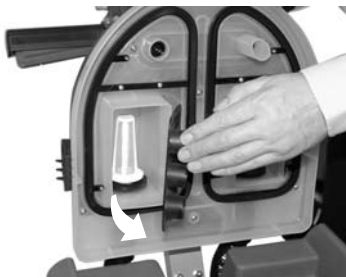
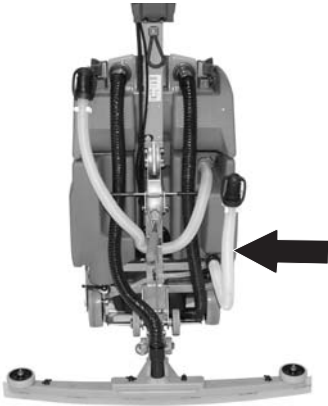
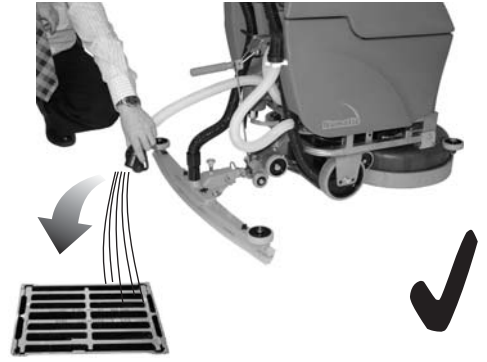
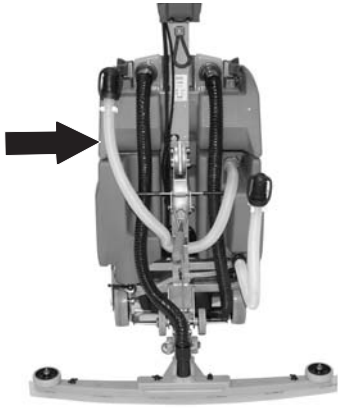
SET UP

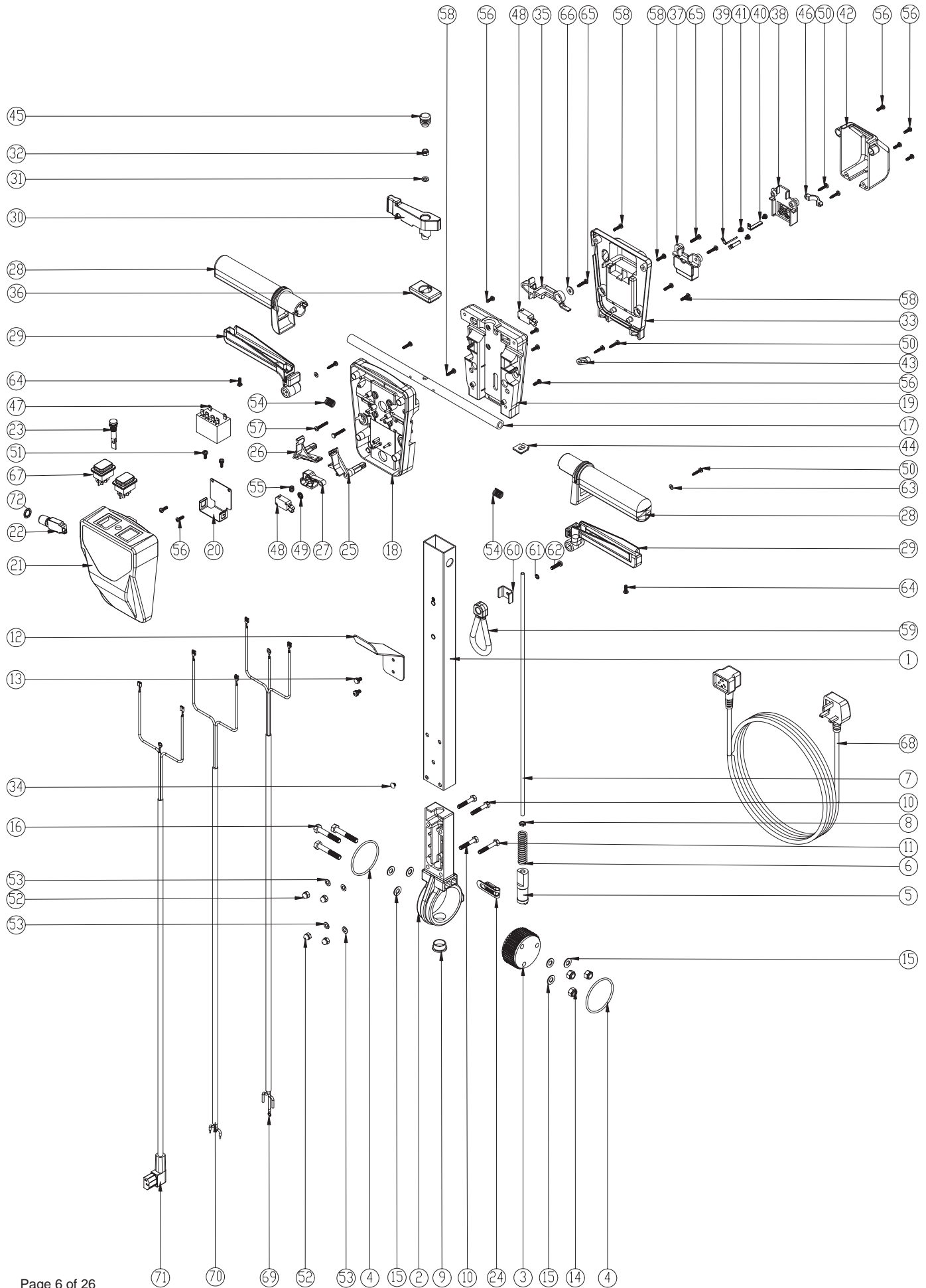


START UP



CLEANING

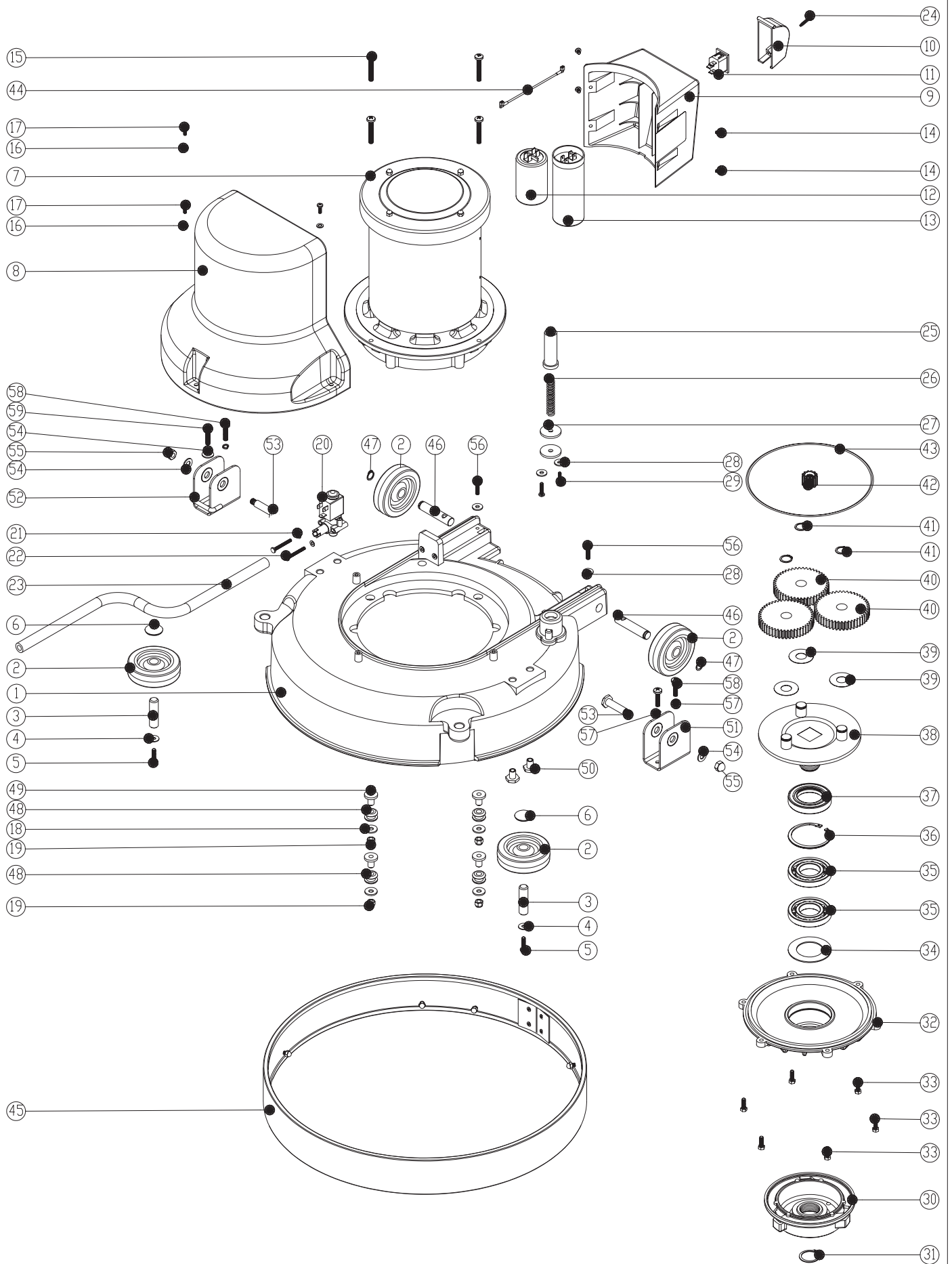




Numatic International Spare Parts

Model No: TT-3450/TT-4500/TT-4550 Handle Assembly

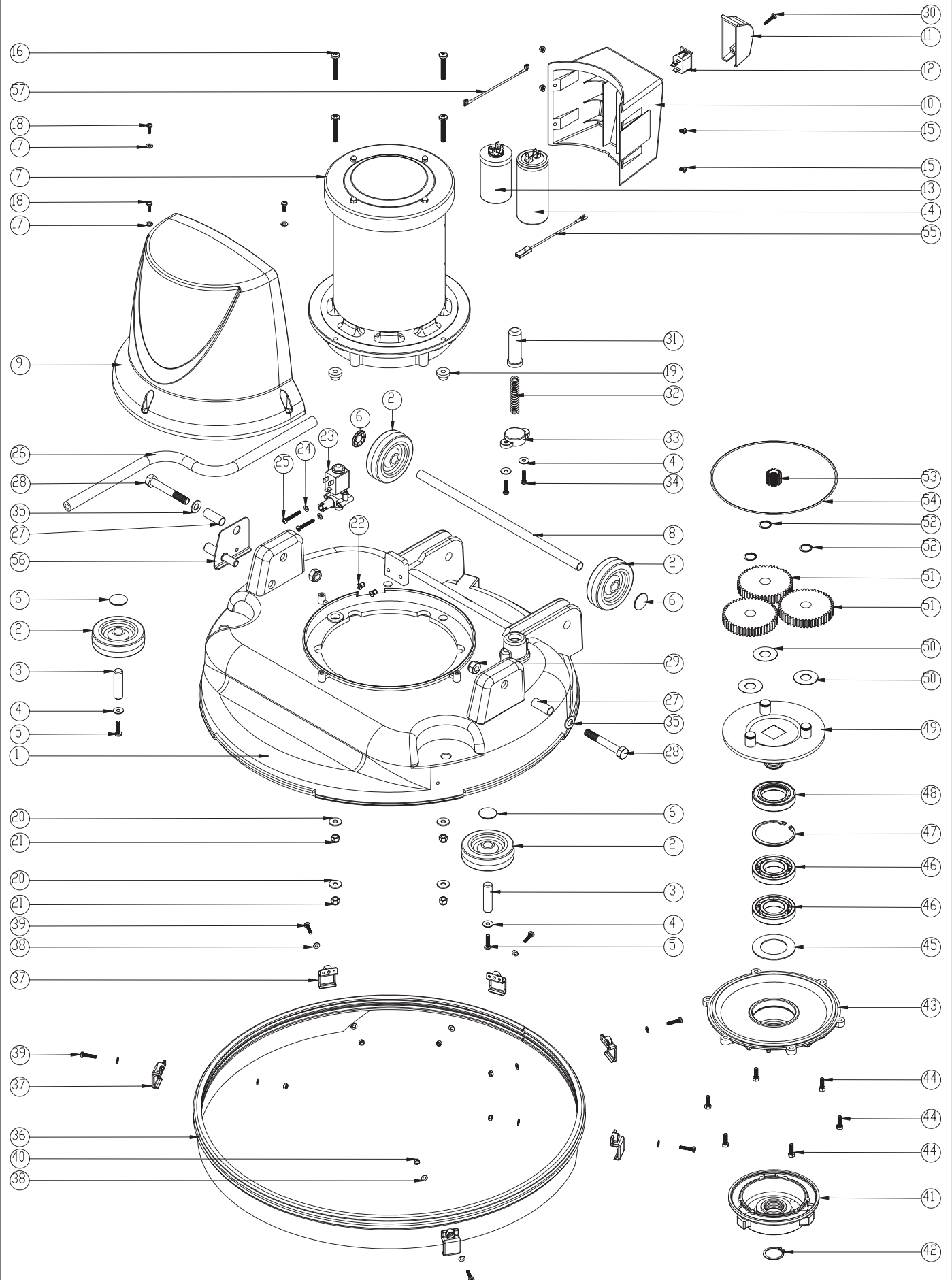
POS:	ITEM NO:	DESCRIPTION:	COMMENTS:
1	429052	500MM PAINTED PROCESSED ALUMINIUM HANDLE	
2	229081	HANDLE CASTING MACHINED	
3	229074	ADJUSTMENT GEAR	
4	219254	O RING 3MM DIA X 60MM I/D	
5	229073	GEAR LOCKING PIN	
6	229138	SPRING	
7	229462	510MM HANDLE LOCKING ROD	
8	219099	M6 HALF NUT	
9	229099	25MM DIA HOLE PLUG	
10	219064	M6 X 35MM LONG HEX BOLT	
11	21965V	M6 X 40MM LONG HEX BOLT	
12	303464	SEPERATOR HANGING BRACKET	
13	219047	M5 X 10MM LONG POZI PAN SEMS SCREW	
14	219078	M8 NYLON INSERT NUT	
15	219010	M8 FORM A WASHER	
16	219091	M8 X 50MM LONG HEX BOLT	
17	338269	CROSS TUBE	
18	227576	FRONT INNER HALF MOULDING	
	229508	FRONT INNER HALF MOULDING	FLAME RETARDANT CSA SPEC
19	227577	REAR INNER HALF MOULDING	
	229509	REAR INNER HALF MOULDING	FLAME RETARDANT CSA SPEC
20	329367	HANDLE RELAY MOUNTING BRACKET	
21	227669	FRONT COVER MOULDING	
	229506	FRONT COVER MOULDING	FLAME RETARDANT CSA SPEC
22	220440	8 AMP OVERLOAD	
	220441	16 AMP OVERLOAD	120V MACHINES
23	220812	230V NEON INDICATOR & RED LENS	
	220813	120V NEON INDICATOR & RED LENS	
24	229139	P-CLIP	
25	227585	LEFT HAND SWITCH OPERATING LEVER MOULDING	
26	227586	RIGHT HAND SWITCH OPERATING LEVER MOULDING	
27	227587	CENTRE SWITCH OPERATING LEVER MOULDING	
28	227580	HAND GRIP MOULDING	
29	229500	TRIGGER MOULDING BLUE	
30	227583	ADJUSTMENT LEVER MOULDING	
31	219493	M6 NYLON WASHER	
32	219088	M6 NYLON INSERT NUT	
33	227676	REAR COVER	
	229507	REAR COVER	FLAME RETARDANT CSA SPEC
34	229009	BLANKING PLUG	
35	227584	INTERLOCK LEVER MOULDING	
36	227582	HANDLE PLUG MOULDING	
37	227691	TERMINAL BLOCK	
	229510	TERMINAL BLOCK	FLAME RETARDANT CSA SPEC
38	227680	TERMINAL BLOCK COVER	
	229511	TERMINAL BLOCK COVER	FLAME RETARDANT CSA SPEC
39	206562	CONTACT PIN	
40	206563	EARTH CONTACT PIN	
41	219090	M4 X 8MM LONG POZI PAN SEMS SCREW	
42	227678	SOCKET COVER	
	229512	SOCKET COVER	FLAME RETARDANT CSA SPEC
43	227008	BLACK CABLE CLAMP	
44	227666	BLANKING PLUG	
45	20638V	CSP-302 BLACK TUBE END STOP	
46	216290	CABLE CLAMP	
47	206575	240V / 25A RELAY	
	206576	120V / 25A RELAY	
48	229483	SNAP ACTION SWITCH	
49	219805	4MM SPIREFIX	
50	219107	No6 X 5/8 INCH LONG POZI PAN PLASTITE SCREW	
51	219471	M4 X 12MM LONG POZI PAN SEMS SCREW	
52	219080	M6 DOMENUT	
53	219007	M6 FORM B WASHER	
54	219803	TRIGGER COMPRESSION SPRING	
55	219804	SWITCH COMPRESSION SPRING	
56	219569	No8 X 1/2 INCH LONG POZI PAN STAINLESS STEEL TAPTITE SCREW	
57	219811	No8 X 1 INCH LONG POZI-PAN SELF TAP SCREW	
58	219105	No8 X 5/8 INCH LONG POZI PAN PLASTITE SCREW	
59	226008	STRESS RELIEF	
60	329231	STRESS RELIEF BRACKET	
61	219016	M5 SHAKEPROOF WASHER	
62	219054	M5 X 20MM LONG POZI PAN SCREW	
63	219206	M4 FORM A WASHER	
64	219270	No8 X 1/2 INCH LONG POZI PAN SELF TAP SCREW	
65	219568	No8 X 3/4 INCH LONG POZI PAN STAINLESS STEEL SCREW	
66	219005	M5 FORM G WASHER	
67	270146	GREEN ILLUMINATED SWITCH + MEMBRANE	
68	236012	20.0M X 1.50MM X 3 CORE NUCABLE (UK PLUG)	
	236016	20.0M X 1.50MM X 3 CORE NUCABLE (EURO PLUG)	
	236020	20.0M X 1.50MM X 3 CORE NUCABLE (SWISS PLUG)	
	236024	20.0M X 1.50MM X 3 CORE NUCABLE (SOUTH AFRICAN PLUG)	
	236032	20.0M X 1.50MM X 3 CORE NUCABLE (AUSTRALIAN PLUG)	
	236028	20.0M X 14AWG X 3 CORE YELLOW CABLE (CSA/USA PLUG)	
69	320737	MK2 VAC MOTOR LEAD ASSEMBLY	
70	320755	MK2 SOLENOID VALVE LEAD ASSEMBLY	
71	320733	MK2 MOTOR LEAD ASSEMBLY	
72	219702	M10 INTERNAL LOCK WASHER	



Numatic International Spare Parts

Model No: TT-3450 BASE / DECK ASSEMBLY

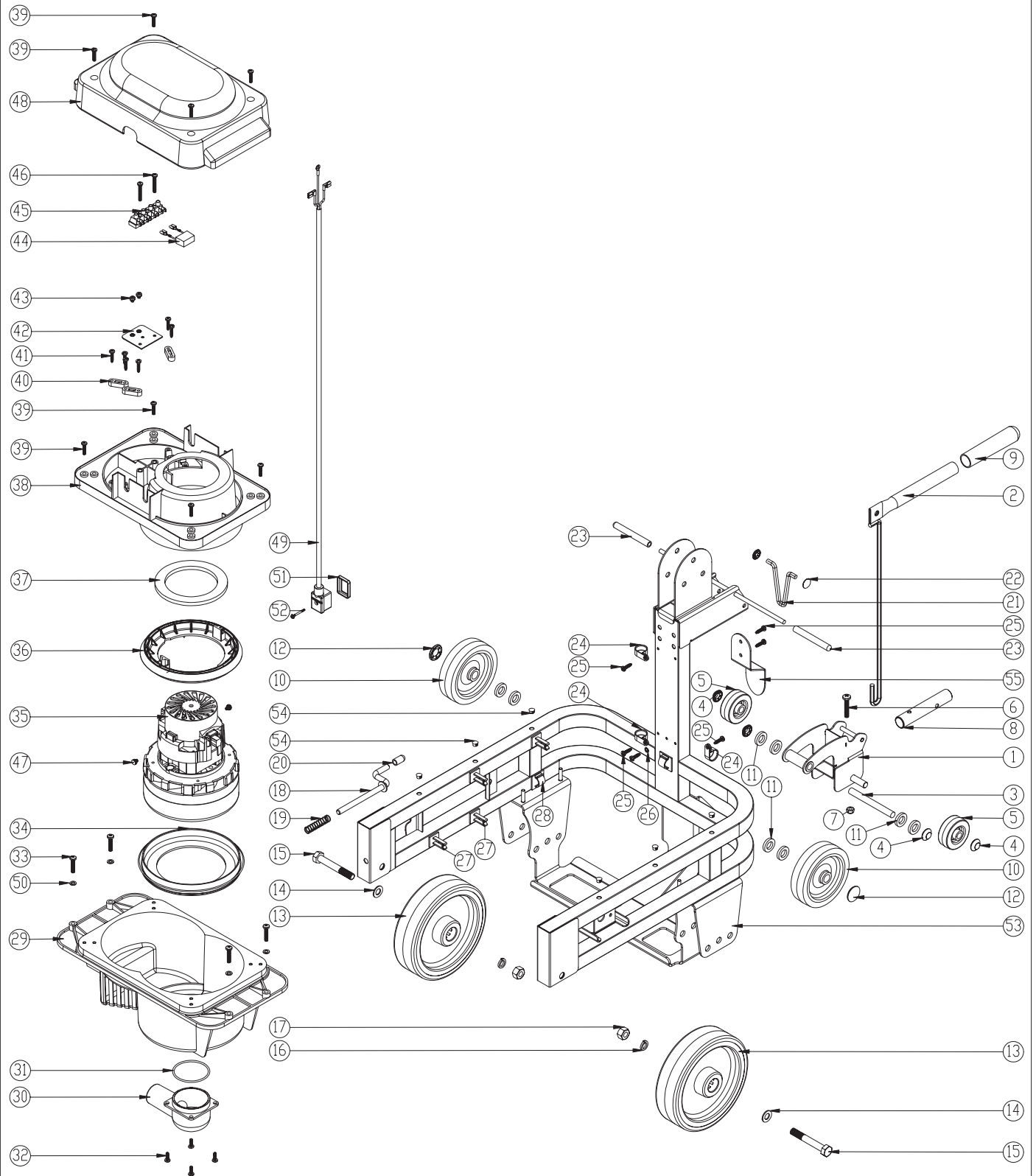
POS:	ITEM NO:	DESCRIPTION:	COMMENTS:
1	329392	INSERTED GREY BASE MOULDING ASSEMBLY	
2	204068	3 INCH GREY WHEEL	
3	206013	BUFFER WHEEL PIN	
4	219644	M5 FORM G STAINLESS STEEL WASHER	
5	219571	M5 X 20MM LONG POZI PAN STAINLESS STEEL SCREW	
6	204021	12.7MM (STAINLESS STEEL) HUB CAP	
7	205003	MOTOR 240V / 50Hz / 1000W	
	205014	MOTOR 220V / 60Hz / 1000W	
	205011	MOTOR 110V / 50Hz / 1000W	
	205013	MOTOR 120V / 60Hz / 1000W	
8	229264	MOTOR COVER	
9	229141	CAPACITOR BOX MOULDING	
10	229213	PLUG COVER	
11	220584	RENDAR CLIP IN PLUG	
12	220024	MOTOR RUN CAPACITOR 10 MFD	240V MACHINES
	220103	MOTOR RUN CAPACITOR 40 MFD	220V MACHINES
13	220022	MOTOR START CAPACITOR 100 MFD	240V MACHINES
	220117	MOTOR START CAPACITOR 150 MFD	220V MACHINES
	220090	MOTOR START CAPACITOR 480 MFD	110/120V MACHINES
14	219095	M4 X 6MM LONG POZI PAN TAPTITE SCREW	
15	219483	M6 X 40MM LONG POZI PAN SEMS SCREW	
16	219355	M5 FORM A STAINLESS STEEL WASHER	
17	219569	No8 X 1/2 INCH LONG POZI PAN STAINLESS STEEL TAPTITE SCREW	
18	219008	M6 FORM G WASHER	
19	219088	M6 NYLON INSERT NUT	
20	220348	SOLENOID VALVE 240V 50/60HZ	
	220349	SOLENOID VALVE 220V 50/60HZ	
	220350	SOLENOID VALVE 110V 50HZ	
	220425	SOLENOID VALVE 110/120V 50/60HZ	
21	219206	M4 FORM A WASHER	
22	219703	M4 X 35MM LONG STAINLESS STEEL POZI PAN SCREW	
23	303248	900MM LONG SILICON TUBE	
24	219107	No6 X 5/8 INCH LONG POZI PAN PLASTITE SCREW	
25	229128	PLUNGER	
26	219394	COMPRESSION SPRING	
27	219457	30MM O/D X 6.4 I/D X 3MM THICK NYLON WASHER	
28	219005	M5 FORM G WASHER	
29	219568	No8 X 3/4 INCH LONG POZI PAN STAINLESS STEEL SCREW	
30	230207	CHUCK	
31	230048	26MM EXTERNAL CIRCLIP	
32	230208	DIE CAST BOTTOM PLATE ASSEMBLY	
33	219051	M5 X 16MM LONG HEX SCREW	
34	219261	61.8/62MM OD 38/38.2 ID BLACK WASHER	
35	230004	62 O/D X 30 I/D BEARING	
36	230200	62MM INTERNAL CIRCLIP	
37	230002	DOUBLE LIP OIL SEAL	
38	230291	PLANET CARRIER & PIN ASSEMBLY (50HZ STANDARD SPEED)	
39	230215	35MM X 15 I/D ALUMINIUM WASHER	
40	230013	48 TOOTH SPUR GEAR (STANDARD SPEED 50/60HZ)	
41	230015	15MM EXTERNAL CIRCLIP	
42	230027	12 TOOTH PINION GEAR (STANDARD SPEED)	
43	230001	V OIL SEAL	
44	220119	100MM LONG BROWN LINK WIRE	
45	304043	SPLASH SKIRT ASSEMBLY	
46	229382	REAR WHEEL PIN	
47	219345	12MM EXTERNAL CIRCLIP	
48	229025	STANDARD GROMMET	
49	208011	MOTOR MOUNTING SPACER	
50	219606	BRACKET SPACER	
51	403210	NON LOCKING PIVOT BRACKET	
52	404041	PIVOT BRACKET WELDED ASSEMBLY	
53	206236	PIVOT PIN	
54	219010	M8 FORM A WASHER	
55	219077	M8 DOMENUT	
56	219546	M5 X 20MM LONG POZI PAN SEMS SCREW	
57	219549	M6 SINGLE COIL WASHER	
58	219056	M6 X 25MM LONG POZI PAN SCREW	
59	219506	M6 X 25MM LONG POZI PAN COUNTERSUNK SCREW	



Numatic International Spare Parts

Model No:TT-455/TT-4550 Base / Deck Assembly

POS:	ITEM NO:	DESCRIPTION:	COMMENTS:
1	329209	GREY BASE MOULDING (DRILLED)	
2	204068	3 INCH GREY WHEEL	
3	206013	BUFFER WHEEL PIN	
4	219644	M5 FORM G STAINLESS STEEL WASHER	
5	219571	M5 X 20MM LONG POZI PAN STAINLESS STEEL SCREW	
6	204021	12.7MM (STAINLESS STEEL) HUB CAP	
7	205004	240V X 1.5 HP EXTRA HIGH MOTOR	
	205002	120V X 1.5 HP EXTRA HIGH MOTOR	
8	390859	1/2 INCH DIA X 18G X 325MM LONG STAINLESS STEEL TUBE	
9	229498	MOTOR COVER (MAINS MACHINES)	
10	229141	CAPACITOR BOX MOULDING	
11	229213	PLUG COVER	
12	220584	RENDAR CLIP IN PLUG	
13	220104	MOTOR RUN CAPACITOR 16 MFD	230V MACHINES
	220103	MOTOR RUN CAPACITOR 40 MFD	120V MACHINES
14	220117	MOTOR START CAPACITOR 150 MFD	230V MACHINES
	220090	MOTOR START CAPACITOR 482 MFD	120V MACHINES
15	219095	M4 X 6MM LONG POZI PAN TAPTITE SCREW	
16	219483	M6 X 40MM LONG POZI PAN SEMS SCREW	
17	219355	M5 FORM A STAINLESS STEEL WASHER	
18	219569	No8 X 1/2 INCH LONG POZI PAN STAINLESS STEEL TAPTITE SCREW	
19	229285	MOTOR MOUNTING SPACER	
20	219008	M6 FORM G WASHER	
21	219088	M6 NYLON INSERT NUT	
22	219009	M4 BRASS TAPPEX INSERT	
23	220348	SOLENOID VALVE 240V 50/60HZ	
	220350	SOLENOID VALVE 120V 50/60HZ	
24	219206	M4 FORM A WASHER	
25	219321	M4 X 30MM LONG POZI PAN SCREW	
26	303248	900MM LONG SILICON TUBE	
27	390858	32MM LONG SPACER	
28	219570	M10 X 70MM LONG HEX BOLT	
29	219649	M10 NYLON INSERT NUT	
30	219107	No6 X 5/8 INCH LONG POZI PAN PLASTITE SCREW	
31	229128	PLUNGER	
32	219692	COMPRESSION SPRING	
33	223242	PLUNGER MOUNTING PLATE MOULDING	
34	219568	No8 X 3/4 INCH LONG POZI PAN STAINLESS STEEL SCREW	
35	219449	M10 FORM A WASHER	
36	229384	SPLASH SKIRT EXTRUSION	
37	229365	FIXING CLIP MOULDING	
38	219688	M4 FORM A STAINLESS STEEL WASHER	
39	219686	M4 X 20MM LONG STAINLESS STEEL POZI PAN MACHINE SCREW	
40	219687	M4 NYLON INSERT STAINLESS STEEL NUT	
41	230207	CHUCK	
42	230048	26MM EXTERNAL CIRCLIP	
43	230208	DIE CAST BOTTOM PLATE ASSEMBLY	
44	219051	M5 X 16MM LONG HEX SCREW	
45	219261	61.8/62MM OD 38/38.2 ID BLACK WASHER	
46	230004	62 O/D X 30 I/D BEARING	
47	230200	62MM INTERNAL CIRCLIP	
48	230002	DOUBLE LIP OIL SEAL	
49	230291	PLANET CARRIER & PIN ASSEMBLY (50HZ STANDARD SPEED)	
50	230215	35MM X 15 I/D ALUMINIUM WASHER	
51	230013	48 TOOTH SPUR GEAR(STANDARD SPEED 50/60HZ)	
52	230015	15MM EXTERNAL CIRCLIP	
53	230027	12 TOOTH PINION GEAR (STANDARD SPEED)	
54	230001	V OIL SEAL	
55	320088	100MM LONG BROWN LINK WIRE	
56	303505	LOCKING PIN WELDED ASSEMBLY	
57	220119	100MM LONG BROWN LINK WIRE	



Numatic International Spare Parts

Model No:TT-3450/TT-4500/TT-4550 Chassis & Vac Pod Assy

POS:	ITEM NO:	DESCRIPTION:	COMMENTS:
1	303596	FLOOR TOOL CONNECTOR WELD ASSEMBLY	
2	303438	LIFTING HANDLE WELDED ASSEMBLY	
3	391035	90MM LONG X 3/8 INCH DIAMETER STAINLESS STEEL BAR	
4	229290	3/8 INCH STAINLESS CAP	
5	215006	2" FLD WHEEL BLACK (GREY TYRE)	
6	219643	M6 X 35MM LONG STAINLESS STEEL POZI PAN SCREW	
7	219642	M6 STAINLESS STEEL NYLON INSERT NUT	
8	329163	PIVOT BOSS	
9	229344	3/4 INCH HAND GRIP	
10	329187	100MM WHEEL (MODIFIED)	
11	229346	SPACER	
12	204021	12.7MM (STAINLESS STEEL) HUB CAP	
13	204080	160MM DIA WHEEL / POLYURETHENE TYRE	
14	219449	M10 FORM A WASHER	
15	219570	M10 X 70MM LONG HEX BOLT	
16	219349	M10 SINGLE COIL WASHER	
17	219074	M10 FULL NUT	
18	303406	LATCHING ROD WELDED ASSEMBLY	
19	219576	(STAINLESS STEEL) SPRING	
20	229240	END TIP	
21	303439	PIVOT ROD	
22	21926V	6MM CHROME HUB CAP	
23	229007	ROD CAP	
24	219514	P-CLIP	
25	219036	No8 X 5/8 INCH LONG POZI PAN SELF TAPPING SCREW	
26	219015	M4 SHAKEPROOF WASHER	
27	219464	CLIP (24MM HIGH)	
28	220403	CABLE CLIP	
29	229204	BOTTOM MOTOR HOUSING	STANDARD MACHINES
	227231	BOTTOM MOTOR HOUSING	120V CSA MACHINES
30	229207	INLET TUBE	
31	219561	51.6MM I/D O RING	
32	219569	No8 X 1/2 INCH LONG POZI PAN STAINLESS STEEL TAPTITE SCREW	
33	219575	M5 X 25MM LONG POZI PAN STAINLESS STEEL SCREW	
34	202111	BOTTOM MOTOR GASKET	
35	205411	240V 2 STAGE D.I BYPASS ACUSTEK MOTOR (BL21104)(MARKED 230V)	
	205409	120V 2 STAGE D.I BYPASS ACUSTEK MOTOR (BL21101)	
36	202107	TOP MOTOR GASKET	
37	202078	MOTOR CAP GASKET	
38	229998	VAC POD TOP MOTOR HOUSING C/W TAPPEX	STANDARD MACHINES
	229993	VAC POD TOP MOTOR HOUSING C/W TAPPEX	120V CSA MACHINES
39	219568	No8 X 3/4 INCH LONG POZI PAN STAINLESS STEEL SCREW	
40	227008	BLACK CABLE CLAMP	
41	219107	No6 X 5/8 INCH LONG POZI PAN PLASTITE SCREW	
42	303291	TERMINAL BLOCK FIXING BRACKET/ HEXSERT ASSEMBLY	
43	219090	M4 X 8MM LONG POZI PAN SEMS SCREW	
44	321068	SUPPRESSOR ASSEMBLY	
45	220204	TERMINAL BLOCK	
46	219321	M4 X 30MM LONG POZI PAN SCREW	
47	219566	M4 X 6MM LONG POZI PAN SCREW	
48	229206	VAC POD TOP COVER MOULDING	STANDARD MACHINES
	227233	VAC POD TOP COVER MOULDING	120V CSA MACHINES
49	320533	SOLENOID VALVE LEAD ASSEMBLY (C/W MPM CONNECTOR)	STANDARD MACHINES
	320534	SOLENOID VALVE LEAD ASSEMBLY (C/W MPM CONNECTOR)	120V CSA MACHINES
50	219003	M5 FORM A STEEL WASHER	
51	202081	REPLACEMENT MPM CONNECTOR GASKET	
52	219694	M3 X 25MM LONG MPM CONNECTOR SCREW	
53	303597	CHASSIS WELDED ASSEMBLY	
54	219548	HOLE PLUG	
55	329431	HOSE RETAINING BRACKET	

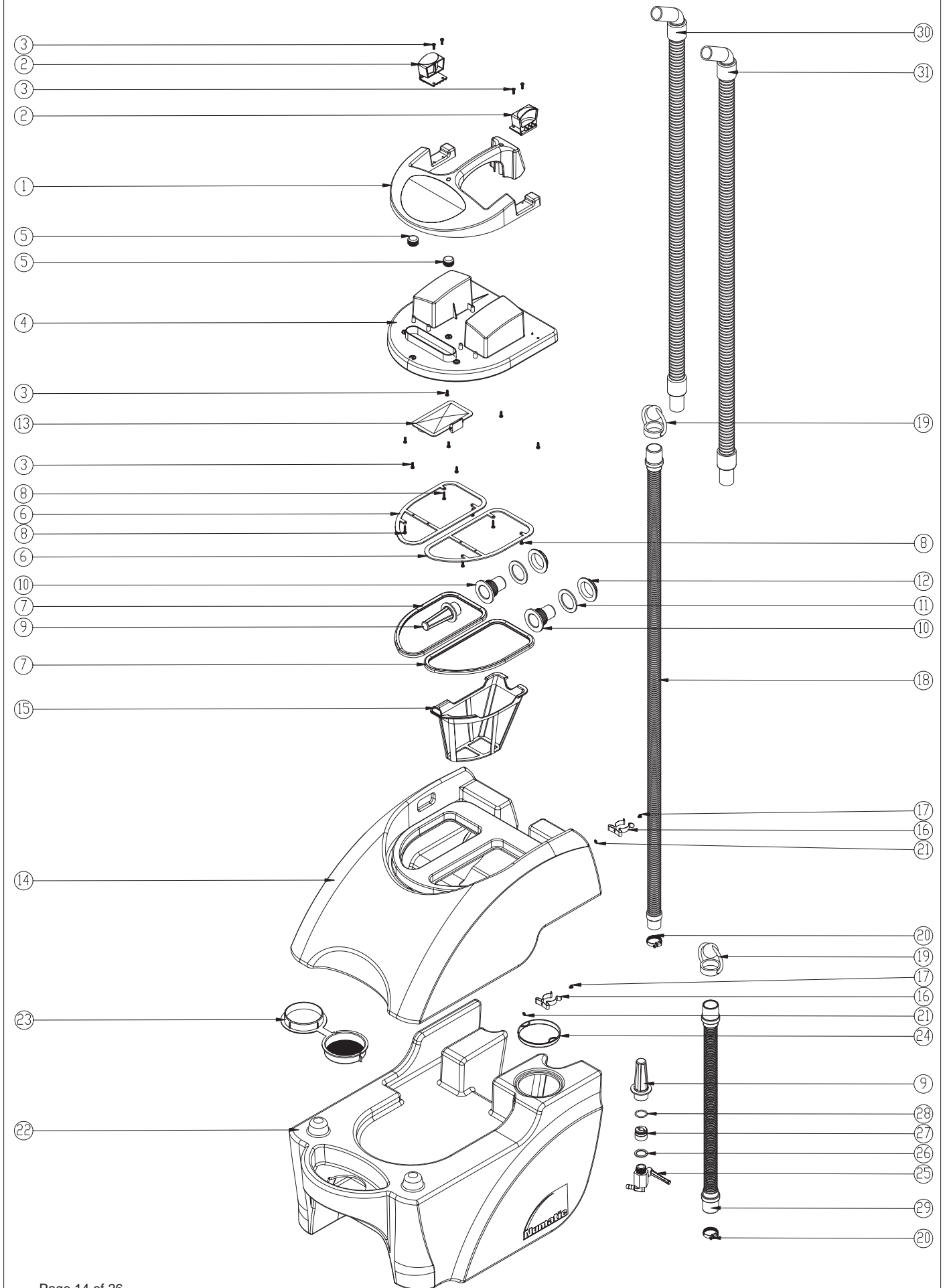
Numatic International Spare Parts

Model No: TT-3450S/TTB-3450S/TT-4500S/TT-4550S/TTB-4500S/TTB-4552S Tank/Separator Assy

234276

DRAWING: EXP-0707 ISS: A03

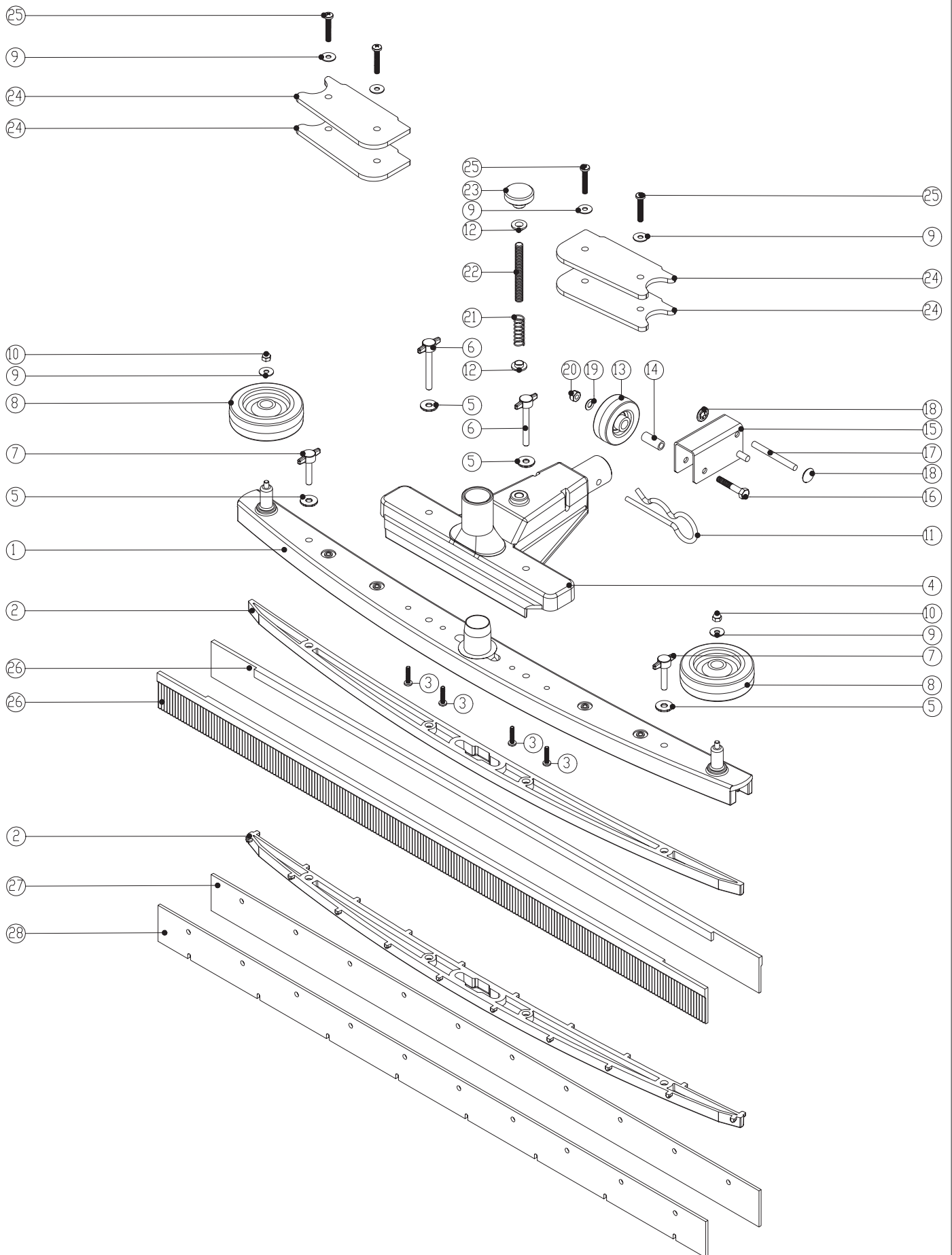
06/04/2005



Numatic International Spare Parts

Model No:TT-3450S/TTB-3450S/TT-4500S/TT-4550S/TTB-4500S/TTB-4552S Tank/Separator Assy

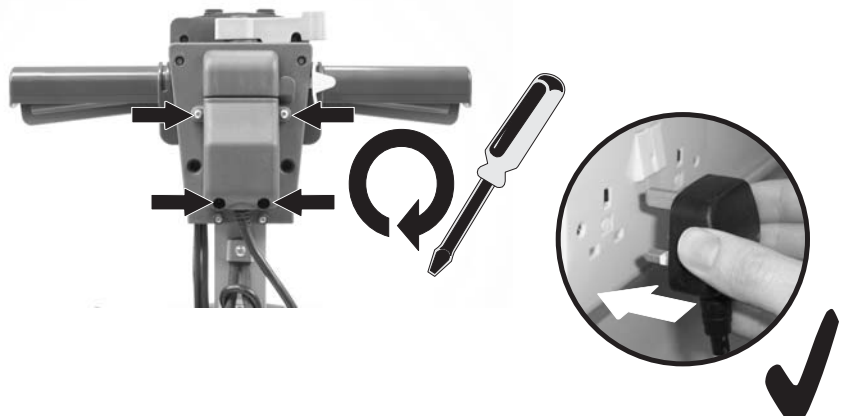
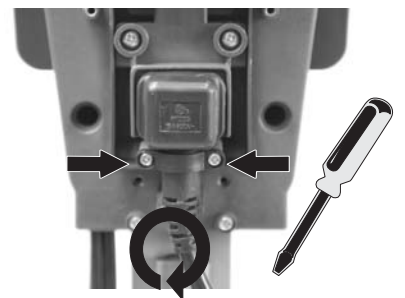
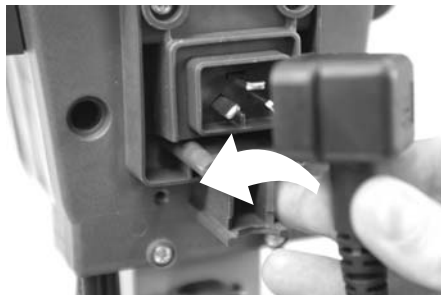
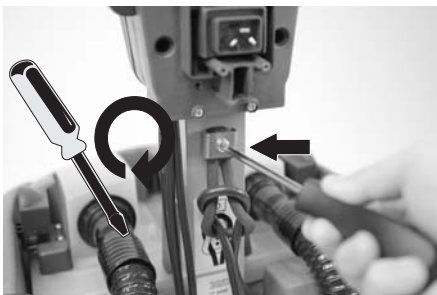
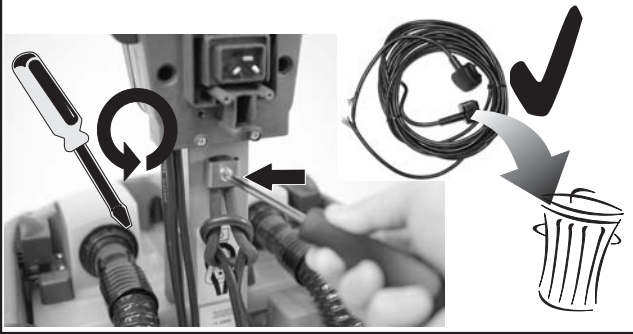
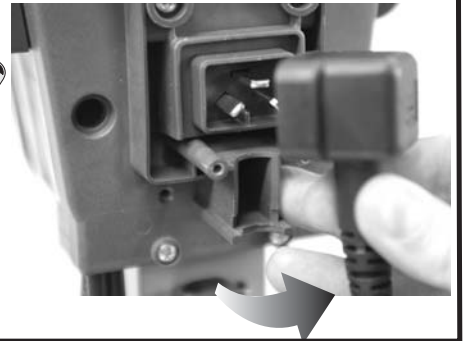
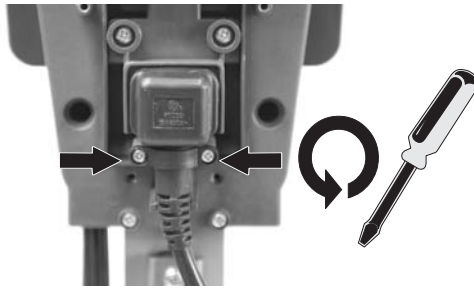
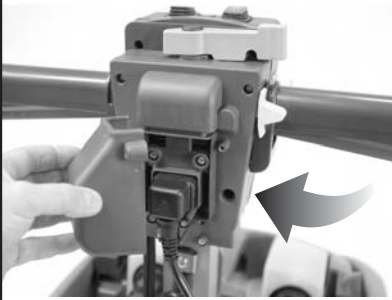
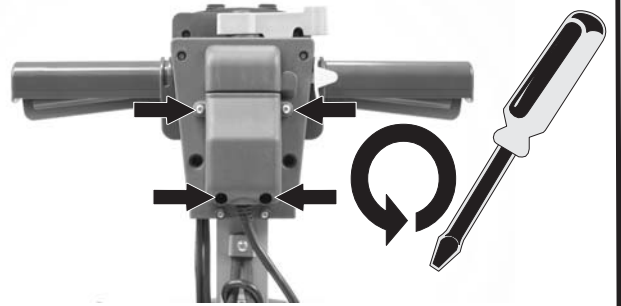
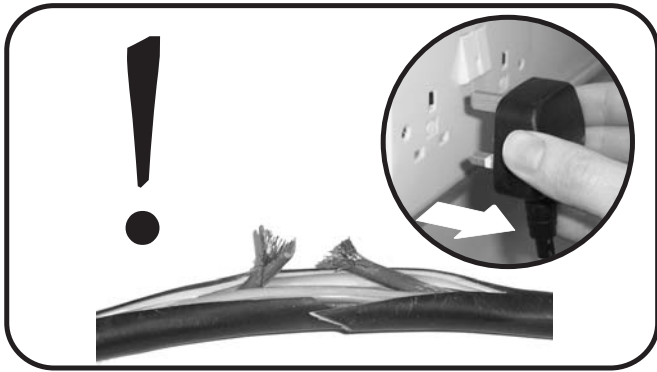
PDS:	ITEM NO:	DESCRIPTION:	COMMENTS:
1	229493	SEPARATOR TOP	
2	229494	CLIP MOULDING	
3	219569	No8 X 1/2 INCH LONG POZI PAN STAINLESS STEEL TAPTITE SCREW	
4	229492	SEPARATOR MOULDING	
5	20637V	25.4MM TUBE END STOP	
6	329408	GASKET SUPPDRT RING	
7	202110	SEALING GASKET	
8	219667	No6 X 1/2" LONG PLASTITE SCREW	
9	206265	BARREL FILTER	
10	206228	DRAIN HOSE CONNECTOR	
11	219310	RUBBER WASHER	
12	206116	BLACK NUT	
13	229224	FLOAT	
14	229488	BLUE TOP TANK	TT-3450S/TTB-3450S
	229490	BLUE TOP TANK	TT-4550S/TTB-4500S/TTB-4552S/TT-4500S
15	207000	GRIT FILTER BASKET	
16	219665	TOOL CLIP	
17	219697	M4 X 8MM LONG POZI PAN STAINLESS STEEL SCREW	
18	213038	1400MM LONG DUMP HOSE	
19	206111	HOSE CLOSURE	
20	219674	30/40MM DIAMETER STAINLESS STEEL JUBILEE CLIP	
21	219688	M4 FORM A STAINLESS STEEL WASHER	
22	229491	BLUE BOTTOM TANK	TT-3450S
	229487	BLUE BOTTOM TANK	TTB-3450S
	229536	BLUE BOTTOM TANK	TT-4550S/TT-4500S
	229489	BLUE BOTTOM TANK	TTB-4500S/TTB-4552S
23	229282	FILTER CAP	
24	219452	100MM DIAMETER HOLE PLUG	
25	206597	TANK TAP	
26	202067	SEALING GASKET	
27	206274	FILTER CONNECTOR	
28	219626	23MM I/D X 2.5MM SECTION O RING	
29	213019	DUMP HOSE ASSEMBLY	
30	329065	SUCTION HOSE ASSEMBLY	
31	329153	1.1 METRE LONG FLOOR TOOL HOSE ASSEMBLY	



Numatic International Spare Parts

Model No: Semi Parabolic Floor Tool (TAA-90/91/92/93B)

POS:	ITEM NO:	DESCRIPTION:	COMMENTS:
1	229403	TOP MOULDING	TT-345 / TTB-345 / TT-3450 / TTB-3450
	229404	TOP MOULDING	TT-455 / TTB-455 / TT-4500 / TTB-4500
2	229401	BOTTOM MOULDING	TT-345 / TTB-345 / TT-3450 / TTB-3450
	229402	BOTTOM MOULDING	TT-455 / TTB-455 / TT-4500 / TTB-4500
	229475	BOTTOM MOULDING (WITH LUGS)	TT-345 / TTB-345 / TT-3450 / TTB-3450
	229476	BOTTOM MOULDING (WITH LUGS)	TT-455 / TTB-455 / TT-4500 / TTB-4500
3	219568	No8 X 3/4 INCH LONG POZI PAN STAINLESS STEEL SCREW	
4	301193	CENTRE MOULDING PLUS INSERT DRILLED	
5	219647	M6 FORM G STAINLESS STEEL WASHER	
6	301195	M6 X 50MM TEE KNOB ASSEMBLY	
7	301194	M6 X 30MM TEE KNOB ASSEMBLY	
8	303247	3 INCH DIA WHEEL REAMED	
9	219644	M5 FORM G STAINLESS STEEL WASHER	
10	219645	M5 STAINLESS STEEL DOME NUT	
11	229295	RETAINING PIN	
12	219417	UNIFIED M/C SCREW INSULATOR	
13	215006	2" FLD WHEEL BLACK (GREY TYRE)	
14	204023	24MM FLD WHEEL INSERT	
15	329673	HEIGHT ADJUSTOR BRACKET WELDED ASSEMBLY	
16	219064	M6 X 35MM LONG HEX BOLT	
17	390401	6MM DIA X 60MM LONG STAINLESS STEEL BAR	
18	219402	6MM STAINLESS STARLOCK WASHER + CAP	
19	219007	M6 FORM B WASHER	
20	219642	M6 STAINLESS STEEL NYLON INSERT NUT	
21	219312	COMPRESSION SPRING	
22	229283	HEIGHT ADJUSTMENT SHAFT	
23	215008	ADJUSTING KNOB	
24	429067	WEIGHT (PAINTED SILVER GREY)	TTB-345/TTB-455/TTB-3450/TTB-4500
25	219720	M5 X 30MM LONG STAINLESS STEEL POZI PAN SCREW	TTB-345/TTB-455/TTB-3450/TTB-4500
26	217349	790MM LONG FIXED FLOOR TOOL (FRONT & REAR) RUBBER BLADE	TT-345 / TTB-345 / TT-3450 / TTB-3450
	217224	850MM LONG FIXED FLOOR TOOL (FRONT & REAR) RUBBER BLADE	TT-455 / TTB-455 / TT-4500 / TTB-4500
27	217287	790MM LONG FIXED FLOOR TOOL POLYURETHANE BACK BLADE	TT-345 / TTB-345 / TT-3450 / TTB-3450
	217289	850MM LONG FIXED FLOOR TOOL POLYURETHANE BACK BLADE	TT-455 / TTB-455 / TT-4500 / TTB-4500
28	217286	790MM LONG FIXED FLOOR TOOL POLYURETHANE FRONT BLADE	TT-345 / TTB-345 / TT-3450 / TTB-3450
	217288	850MM LONG FIXED FLOOR TOOL POLYURETHANE FRONT BLADE	TT-455 / TTB-455 / TT-4500 / TTB-4500






CAUTION:
Read the instruction manual before using the appliance.

WARNING:
As with all electrical equipment care and attention must be exercised at all times during its use, in addition to ensuring that routine and preventative maintenance is carried out periodically in order to ensure its safe operation. Failure to carry out maintenance as necessary, including the replacement of parts to the correct standard could render this equipment unsafe and the manufacturer can accept no responsibility or liability in this respect.
When ordering spare parts always quote the Model Number / Serial Number specified on the Rating Plate.

NOTE:
This machine is also suitable for commercial use, for example in hotels, schools, hospitals, factories, shops and offices for other than normal housekeeping purposes.

CAUTION:
This machine is not suitable for picking up hazardous dust.

CAUTION:
Do not use on surfaces having a gradient exceeding that marked on the machine.  2%

CAUTION:
The machine is not to be stored outdoors in wet conditions.

DO'S AND DON'TS:

DO ensure only competent persons unpack/assemble the machine.
DO keep your machine clean.
DO keep your brushes in good condition.
DO replace any worn or damaged parts immediately.
DO Regularly examine the power cord for damage, such as cracking or ageing. If damage is found, replace the cord before further use.
DO Only replace the power cord with the correct Numatic approved replacement part.
DO ensure that the work area is clear of obstructions and / or people.
DO ensure that the working area is well illuminated.
DO pre-sweep the area to be cleaned.

DON'T use steam cleaners or pressure washers to clean the machine or use in the rain.
DON'T attempt machine maintenance or cleaning unless the power plug has been removed from the supply outlet.
DON'T allow any inexperienced repairs. Call the experts
DON'T strain cable or try to unplug by pulling on cable.
DON'T leave the brushpad on the machine when not in use.
DON'T allow the machine to be used by inexperienced or unauthorised operators or without appropriate training.
DON'T use the machine without the solution tanks properly positioned on the machine, as shown in the instructions.
DON'T expect the machine to provide trouble-free, reliable operation unless maintained correctly.
DON'T run the machine over power cable during operation.
DON'T lift or pull the machine by any of the operating triggers - Use the main handle.
DON'T remove the handle from the machine except for service and repair.

WARNING:
Only use brushes provided with the appliance or those specified in the instruction manual. The use of other brushes may impair safety. A full range of brushes and accessories are available for this product. Only use brushes or pads which are suitable for the correct operation of the machine for the specific task being performed.

WARNING:
It is essential that this equipment is correctly assembled and operated in accordance with current safety regulations. When using the equipment always ensure that all necessary precautions are taken to guarantee the safety of the operator and any other persons who may be affected. Wear non-slip footwear when Scrubbing. Use a respiratory mask in dusty environments.

When cleaning, servicing or maintaining the machine, replacing parts or converting to another function the power source shall be switched off. Mains operated machines shall be disconnected by removing the power plug.

NOISE AND VIBRATION

Sound Level in use (L_{pA}) < 78 dB(A)

The operators arms are subject to a vibration level of <2.5m/s² when using the machine.

NOTE:
In some applications, noise or vibration levels may exceed the figures stated. If noise levels exceed 85dB(A) appropriate ear protection must be used.




ATTENTION
Lire le Manuel d'Instructions avant d'utiliser l'appareil.

ATTENTION DANGER:
Comme pour n'importe quel appareil électrique, toutes les précautions doivent être prises et l'utilisateur doit rester attentif en permanence pendant que la machine fonctionne ; la machine doit aussi subir une maintenance préventive périodique et toute maintenance corrective nécessaire afin de garantir son fonctionnement en toute sécurité. Une mauvaise maintenance et/ou l'utilisation de pièces autres que celles d'origine risquent de compromettre la sécurité du matériel ; dans ce cas le fabricant ne pourra accepter aucune responsabilité et toute garantie sera annulée.
Pour commander des pièces de rechange, indiquer la référence du modèle et le numéro de série spécifiés sur la plaque signalétique.

NOTA :
Cette machine peut aussi être utilisée pour les applications commerciales, dans les hôtels, les écoles, les hôpitaux, les usines, les magasins et les bureaux par exemple, pour toute application sortant du cadre ménager normal.

ATTENTION DANGER:
Cette machine ne convient pas au ramassage des poussières dangereuses.

ATTENTION:
Ne pas utiliser la machine sur des surfaces ayant un gradient qui excède celui qui est indiqué sur la machine.  2%

A FAIRE :

- S'assurer que seules des personnes compétentes déballent et assemblent la machine.
- Garder la machine propre.
- Maintenir les brosses en bon état.
- Remplacer immédiatement toute pièce usée ou détériorée.
- Examiner régulièrement le cordon d'alimentation pour rechercher toute détérioration comme des craquelures ou des signes d'usure. En cas de détérioration, remplacer le cordon avant toute autre utilisation.
- Remplacer le cordon d'alimentation uniquement par une pièce de rechange appropriée homologuée par Numatic.
- S'assurer que la zone de travail est dégagée de tout obstacle et que personne ne s'y trouve.
- S'assurer que la zone de travail est bien éclairée.
- Balayer la surface avant de procéder au nettoyage.

A NE PAS FAIRE :

- Ne jamais nettoyer la machine avec des machines de nettoyage à vapeur ou à pression et ne jamais se servir de la machine dans la pluie.
- Ne jamais intervenir sur la machine (maintenance ou nettoyage) avant d'avoir débranché la prise secteur.
- Ne pas faire réparer la machine par une personne non compétente. Faire appel aux spécialistes.
- Ne jamais tirer sur le câble d'alimentation ou essayer de débrancher la prise en tirant sur le câble.
- Ne pas laisser la brosse ou le disque sur la machine lorsqu'elle n'est pas utilisée.
- Permettre à des opérateurs inexpérimentés, non autorisés ou n'ayant pas reçu une formation adéquate d'utiliser la machine.
- Utiliser la machine lorsque les réservoirs contenant les solutions ne sont pas correctement positionnés sur la machine, comme indiqué dans les instructions.
- Ne pas espérer que la machine fonctionne correctement sans un entretien correct.
- Ne pas passer sur le câble d'alimentation lorsque la machine fonctionne.
- Ne jamais soulever ou tirer la machine par ses manettes de commande -utiliser la poignée principale.
- Ne pas démonter la poignée de la machine, sauf pour des opérations d'entretien ou de réparation.

ATTENTION DANGER !

Utiliser uniquement les brosses fournies avec l'appareil ou celles spécifiées dans le Manuel d'Instructions. L'utilisation d'autres brosses peut nuire à la sécurité. Une large gamme de brosses et d'accessoires est disponible pour cet appareil. Utiliser exclusivement les brosses ou les disques adaptés au bon fonctionnement de la machine pour la tâche spécifique à effectuer.

ATTENTION DANGER :

Il est essentiel que ce matériel soit correctement assemblé et qu'il soit utilisé conformément aux règles de sécurité en vigueur.
Lors de toute utilisation du matériel, s'assurer que les précautions nécessaires ont été prises pour garantir la sécurité de l'opérateur et de toute personne susceptible d'être affectée. Porter des chaussures antidérapantes pendant le récupage. Utiliser un masque respiratoire dans les environnements poussiéreux.
Lors du nettoyage, de la révision et de l'entretien de la machine, lors du remplacement de pièces ou de la conversion à une autre fonction, la source d'alimentation doit être coupée. Les machines branchées sur le secteur doivent être débranchées en retirant la prise d'alimentation et les machines fonctionnant sur batteries doivent être débranchées en retirant la broche d'isolement.

BRUIT ET VIBRATIONS :

Niveau sonore en utilisation (L_{pA}) < 78 dB(A)

Les bras des opérateurs sont soumis à un niveau de vibrations de <2.5m/s² lors de l'utilisation de la machine.

NOTA :

Dans certaines applications, les niveaux sonores ou vibratoires peuvent dépasser les valeurs indiquées. En cas de niveau sonore supérieur à 85 dB(A), une protection auditive appropriée doit être utilisée.

**VORSICHT!**

Lesen Sie vor der Benutzung des Gerätes die Bedienanleitung.

WARNUNG:

Wie bei allen elektrischen Geräten, ist während der Benutzung Vorsicht und Aufmerksamkeit geboten. Desweiteren muß zur Sicherung des zuverlässigen Betriebes laufende und vorbeugende Wartung in regelmäßigen Abständen durchgeführt werden. Die Unterlassung notwendiger Wartungsarbeiten, einschließlich des ordnungsgemäßen Austausches von Teilen kann diese Ausrüstung unsicher machen, und der Hersteller kann in dieser Hinsicht keine Verantwortung oder Haftung übernehmen. Bei der Bestellung von Ersatzteilen geben Sie die auf dem Leistungsschild angegebene Typen/Seriennummer an.

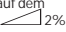
BEMERKUNG:

Diese Maschine ist außer für normale Haushaltsanwendungen auch für den gewerblichen Bereich geeignet, zum Beispiel in Hotels, Schulen, Krankenhäusern, Betrieben, Läden und Büros.

WARNUNG:

Diese Maschine ist nicht für das Aufsaugen von gesundheitsgefährdendem Staub geeignet.

VORSICHT

Nicht auf Flächen mit einer größeren als der auf dem Gerät gekennzeichneten Neigung benutzen.  2%

WAS SIE TUN UND LASSEN SOLLTEN:

- Stellen Sie sicher, daß nur kompetente Personen die Maschine auspacken und zusammenbauen.
- Halten Sie Ihre Maschine sauber.
- Erhalten Sie die Bürsten in einem guten Zustand.
- Tauschen Sie alle verschlissenen oder beschädigten Teile sofort aus.
- Untersuchen Sie das Zuleitungskabel regelmäßig auf Schaden, wie Brüche oder Alterung. Wenn Sie einen Schaden entdecken, tauschen Sie das Kabel vor dem weiteren Betrieb aus.
- Ersetzen Sie das Zuleitungskabel nur durch das richtige, von Numatic bestätigte, Ersatzkabel.
- Sorgen Sie dafür, daß der Arbeitsbereich frei von Hindernissen und/oder Menschen ist.
- Sorgen Sie für eine gute Beleuchtung des Arbeitsbereiches.
- Kehren Sie den zu säubernden Bereich vorher.
- Verwenden Sie keine Dampf- oder Druckreiniger zur Reinigung der Maschine und verwenden Sie sie nicht im Regen.
- Führen Sie keine Wartungs- oder Reinigungsarbeiten aus, ohne daß der Netzstecker aus der Steckdose gezogen ist.
- Erlauben Sie keine Reparatur durch unerfahrene Personen. Rufen Sie Experten.
- Zerren Sie nicht am Kabel bzw. versuchen Sie nicht, den Stecker durch Ziehen am Kabel herauszuziehen.
- Lassen Sie die Bürste/das Kissen nicht an der Maschine, wenn sie nicht in Gebrauch ist.
- Die Maschine darf nicht von unerfahrenen bzw. unbefugten Benutzern oder ohne entsprechende Ausbildung betrieben werden.
- Verwenden Sie die Maschine nicht, ohne daß die Behälter für die Reinigungslösung ordnungsgemäß an der Maschine positioniert sind – siehe Anleitung.
- Bedienungspersonal betrieben wird.
- Erwarten Sie nicht, daß die Maschine ohne ordnungsgemäße Wartung störungsfrei und zuverlässig arbeitet.
- Fahren Sie die Maschine während des Gebrauches nicht über das Netzkabel.
- Heben oder ziehen Sie die Maschine nicht an den Bedienelementen, sondern benutzen Sie den Handgriff.
- Entfernen Sie den Handgriff nicht von der Maschine, außer für Wartungs- und Reparaturzwecke.

WARNUNG:

Verwenden Sie nur Bürsten, die mit dem Gerät geliefert wurden, oder solche, die im Benutzerhandbuch vorgegeben sind. Die Benutzung anderer Bürsten kann die Sicherheit beeinträchtigen. Für dieses Produkt gibt es eine vollständige Serie von Bürsten und Zubehör. Verwenden Sie nur Bürsten oder Kissen, die den ordnungsgemäßen Betrieb der Maschine für eine spezielle, durchzuführende Aufgabe sicherstellen.

WARNUNG:

Es ist wichtig, daß diese Maschine ordnungsgemäß, in Übereinstimmung mit gültigen Sicherheitsvorschriften, zusammengesetzt und betrieben wird. Stellen Sie bei der Benutzung der Maschine immer sicher, daß alle Vorkehrungen zur Gewährleistung der Sicherheit für den Bediener und für alle anderen beteiligten Personen, getroffen wurden. Tragen Sie beim Scheuern rutschfestes Schuhwerk. Benutzen Sie in staubigen Umgebungen eine Atemschutzmaske. Zur Reinigung, Pflege und Wartung der Maschine, für den Austausch von Teilen oder für die Umrüstung auf eine andere Funktion muß die Energiequelle abgeschaltet sein. Am Stromnetz betriebene Maschinen müssen durch Abziehen des Steckers vom Netz getrennt werden. Batteriebetriebene Maschinen müssen durch Entfernen des Trennstiftes getrennt werden.

LaRM UND VIBRATION:

Schallpegel im Gebrauch (L_{pA}) <78dB(A)

Bei der Benutzung der Maschine sind die Arme des Bedieners einem Schwingungspegel von <5 m/s² ausgesetzt.

BEMERKUNG:

Bei einigen Anwendungen können Lärm oder Vibration die angegebenen Werte überschreiten. Wenn der Lärmpegel 85 dB (A) übersteigt, tragen Sie geeigneten Gehörschutz.

**WAARSCHUWING!**

De handleiding lezen alvorens het toestel te gebruiken.

WAARSCHUWING:

Alle elektrische apparatuur dient tijdens gebruik te allen tijde met zorg en voorzichtigheid te worden behandeld. Daarnaast dient regelmatig periodiek en preventief onderhoud te worden uitgevoerd om de veiligheid van de machine te garanderen. Indien wordt nagelaten het noodzakelijke onderhoud uit te voeren of indien bij vervanging geen originele onderdelen worden gebruikt, kan dit tot gevolg hebben dat de machine onveilig wordt. De fabrikant kan in dit geval geen enkele verantwoordelijkheid of aansprakelijkheid aanvaarden.

Gelieve bij het bestellen van onderdelen het op het typeplaatje aangegeven model-/serienummer vermelden.

WAARSCHUWING:

De machine niet op oppervlakten gebruiken waarvan de helling groter is dan die die op de machine is aangegeven.  2%

NOOT:

Deze machine is ook geschikt voor commercieel gebruik, bijv. in hotels, scholen, ziekenhuizen, fabrieken, winkels en gebouwen waar het niet om een gewone huishoudelijke schoonmaak gaat.

WAARSCHUWING:

Deze machine is niet geschikt voor het zuigen van gezondheidsgevaarlijke stoffen.

WEL EN NIET

- | | |
|------|--|
| WEL | de machine door ter zake kundige personen laten uitpakken en assembleren. |
| WEL | de machine schoonhouden. |
| WEL | de borstel in goede staat houden. |
| WEL | eventueel versleten of beschadigde onderdelen onmiddellijk vervangen. |
| WEL | het elektrisch snoer regelmatig nagaan voor eventuele schade, zoals bijv. scheuren of slijtage. Indien men schade constateert, het snoer onmiddellijk vervangen alvorens de machine terug in gebruik te nemen. |
| WEL | het snoer slechts vervangen met het juiste, door Numatic aanbevolen vervangstuk. |
| WEL | verzekeren dat het werkoppervlak vrij is van obstakels en/of personen. |
| WEL | verzekeren dat de werkruimte goed is verlicht. |
| NIET | de machine nooit met stoom- of drukreinigers schoonmaken en de machine ook nooit in de regen gebruiken. |
| NIET | onderhoud uitvoeren of reinigen als de machine nog is aangesloten op het elektriciteitsnet. |
| NIET | reparaties door ondeskundige personen laten uitvoeren; raadpleeg altijd een deskundige. |
| NIET | aan het snoer trekken om de stekker uit het stopcontact te verwijderen. |
| NIET | borstel of pad onder de machine laten zitten als deze buiten gebruik is. |
| NIET | de machine nooit door onervaren of onbevoegd bedieningspersoneel of door personeel met onvoldoende opleiding laten gebruiken. |
| NIET | de machine nooit gebruiken indien de vloeistofreservoirs niet correct op de machine bevestigd zijn. Voor de juiste wijze de handleiding raadplegen. |
| NIET | verwachten dat de machine betrouwbaar en zonder storing werkt ingeval van achterstallig onderhoud. |
| NIET | over het snoer rijden tijdens gebruik. |
| NIET | de machine optillen of voortslepen aan de bedieningshandels; altijd de handgreep gebruiken. |
| NIET | de handgreep van de machine verwijderen, behalve ingeval van onderhoud en reparatie. |

WAARSCHUWING!

Slechts de borstels gebruiken die met de machine meegeleverd zijn of borstels van een type dat in de handleiding aangegeven is. Andere typen borstels kunnen eventueel onveilig zijn. Voor dit product is een uitgebreid assortiment borstels en accessoires leverbaar. Gebruik uitsluitend borstels of pads die geschikt zijn voor de machine of voor de specifieke taak die wordt uitgevoerd.

WAARSCHUWING:

Het is van groot belang dat deze machine wordt gemonteerd en bediend overeenkomstig de van kracht zijnde veiligheidsvoorschriften. Controleer te allen tijde dat de vereiste voorzorgsmaatregelen zijn genomen om de veiligheid van de bediener of andere betrokken personen te garanderen. Draag bij het schrobben antislip schoeisel. Gebruik in stoffige ruimtes een ademhalingsmasker.

De stroomtoevoer altijd afsluiten alvorens de machine te reinigen, te orderhouden of onderdelen te vervangen of alvorens op een andere functie over te gaan. In geval van machines die aan het elektrisch net aangesloten zijn, moet men de stekker uit de contactdoos verwijderen. Machines die op batterijen werken, moet men afkoppelen door de isoleerpin te verwijderen.

LAWAAI EN TRILLING

Geluidsniveau tijdens het gebruik (L_{pA}) <78dB(A)

Gedurende de machinebediening kunnen de armen van de gebruiker trillingen van <2.5 m/s² voelen.

OPM:

Bij sommige toepassingen kunnen lawaa- of trillingsniveaus de aangegeven waarden overschrijden. Bij lawaainiveaus van > 85dB(A) Men moet steeds de geschikte gehoorbescherming dragen.



¡PRECAUCION!

Lea el manual de instrucciones antes de usar el aparato.

AVISO:

Como en todo equipo eléctrico hay que tener cuidado y atención en todo momento durante su uso además de asegurar que se realice mantenimiento de rutina y preventivo periódicamente para conseguir un funcionamiento seguro. Si no se realiza el mantenimiento necesario, incluyendo el cambio de piezas con las normas correctas el equipo podría no ser de funcionamiento seguro y el fabricante no puede aceptar responsabilidad alguna a este respecto. Cuando haga pedidos de repuestos indique el Número de Modelo/Número de Serie especificado en la Placa del Fabricante.

NOTA:

Esta máquina también es adecuada para uso comercial, por ejemplo en hoteles, escuelas, hospitales, fábricas, talleres y oficinas para otros fines que los de uso doméstico normal.

PRECAUCION

No la use en una superficie que tenga una inclinación superior a la marcada en el aparato.  2%

AVISO:

Esta máquina no es adecuada para recoger polvo peligroso.

LO QUE DEBE HACERSE Y LO NO DEBE HACERSE:

- DEBE: el desembalaje y montaje de la máquina debe ser realizado por personal cualificado.
- DEBE: mantener la máquina limpia.
- DEBE: mantener los cepillos en buen estado.
- DEBE: cambiar las piezas desgastadas o dañadas inmediatamente.
- DEBE: examine periódicamente el cordón eléctrico en cuanto a daño, como agrietamiento o envejecimiento. Si se descubre daño alguno, cambie el cordón antes de usarlo más.
- DEBE: únicamente cambie el cordón eléctrico con la pieza de recambio Numatic correcta aprobada.
- DEBE: asegurar que el área de trabajo esté libre de objetos y/o personas.
- DEBE: asegurar que el área de trabajo esté bien iluminada.
- DEBE: barrer previamente el área que ha de limpiarse.
- NO DEBE: usar limpiadores de vapor o lavadoras a presión para limpiar la máquina, ni usarla bajo la lluvia.
- NO DEBE: intentar mantener o limpiar la máquina a no ser que se haya quitado el enchufe de alimentación eléctrica de la toma.
- NO DEBE: permitir reparaciones de inexpertos. Llame a los expertos.
- NO DEBE: tirar del cable ni tratar de desenchufarlo tirando el mismo.
- NO DEBE: dejar el cepillo instalado en la máquina si no se utiliza.
- NO DEBE: permitir que la máquina se use por personas no experimentadas o no autorizadas o sin la capacitación apropiada.
- NO DEBE: usar la máquina sin que los depósitos de solución estén colocados apropiadamente en la máquina, como se indica en las instrucciones.
- NO DEBE: esperar que la máquina dé un funcionamiento sin problemas y fiable a no ser que se mantenga correctamente.
- NO DEBE: pasar la máquina sobre el cable de alimentación eléctrica durante su utilización.
- NO DEBE: levantar o tirar de la máquina tomando los accionadores operativos, use el asa principal.
- NO DEBE: quitar el asa de la máquina excepto en caso de servicio y reparación.

¡ADVERTENCIA!

Use únicamente los cepillos provistos con el aparato o con los que se especifiquen en el manual de instrucciones. El uso de otros cepillos puede poner en peligro la seguridad. Se ofrece una gama completa de cepillos y accesorios para este producto. Use únicamente cepillos o bayetas que sean adecuados para el funcionamiento correcto de la máquina para la tarea específica que se realice.

AVISO:

Es esencial que este equipo se monte y opere correctamente conforme a las regulaciones de seguridad actuales. Cuando se usa el equipo, asegure siempre que se tomen todas las precauciones necesarias para garantizar la seguridad del operador o cualquier otra persona que pueda quedar afectada. Lleve calzado antideslizante cuando fregue. Use una máscara respiratoria en ambientes polvorientos.

Cuando se limpie, haga el servicio o mantenimiento de la máquina, se cambien piezas o se convierta la máquina para otra función debe desconectarse la fuente de alimentación eléctrica. Las máquinas que funcionan con alimentación eléctrica de la red deben desconectarse quitando el enchufe, y las máquinas que funcionan con batería deben desconectarse quitando el aislamiento.

RUIDO Y VIBRACIÓN:

Nivel de Sonido en uso (L_{pA}) <78dB(A).

Los brazos del operario quedan sujetos a un nivel de vibración de <2.5m/s² cuando se utiliza la máquina.

NOTA:

En algunas aplicaciones los niveles de ruido o vibración pueden sobrepasar las cifras indicadas. Si los niveles de ruidos sobrepasan los 85 dB(A) se debe usar protección auricular apropiada.



ATTENZIONI!

Leggere il libretto d'istruzioni prima di usare l'apparecchio.

AVVERTENZA:

Questo è un apparecchio elettrico, e come tale deve essere sempre salvaguardato ed utilizzato con attenzione. Eseguire periodicamente la manutenzione generale e preventiva al fine di garantirne la sicurezza durante il funzionamento. La mancata esecuzione della manutenzione necessaria, ivi compresa la sostituzione delle parti in conformità alle norme previste, può rendere pericoloso l'apparecchio, ed in tal caso la casa produttrice declina ogni responsabilità diretta e/o indiretta. Quando si richiedono parti di ricambio, citare il numero del modello o la matricola, indicati sulla targhetta.

N.B.:

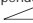
Questa macchina può essere utilizzata anche per operazioni di gestione nel settore commerciale, ad esempio in alberghi, scuole, ospedali, fabbriche, negozi ed uffici.

AVVERTENZA:

Questa macchina non è adatta per la raccolta di polveri nocive.

ATTENZIONE

non usi sulle superfici che hanno una pendenza eccedere

quello contrassegnato sulla macchina.  2%

NORME

Verificare che solo il personale specializzato sballi ed assembli la macchina.

Mantenere pulita la macchina.

Mantenere le spazzole in buone condizioni.

Sostituire immediatamente le parti consumate o danneggiate.

Verificare con regolarità che il cavo elettrico non sia danneggiato, es. da incrinature o invecchiamento. Se il cavo è danneggiato, sostituirlo prima di usare la macchina.

Il cavo elettrico deve essere sostituito soltanto con il rispettivo ricambio Numatic approvato.

Verificare che l'area di lavoro sia libera da ostacoli e/o persone.

Verificare che l'area di lavoro sia bene illuminata.

Spazzare l'area prima di pulirla con la macchina.

NON eseguire la manutenzione o la pulizia della macchina se non dopo avere staccato il cavo di alimentazione dalla presa di corrente

NON pulire l'apparecchio con apparati di pulizia a vapore o lavatrici a pressione; non usare sotto la pioggia.

NON permettere che persone inesperte riparino la macchina. Ricorrere all'assistenza tecnica specializzata

NON tirare il cavo, né staccare la spina tirando il cavo

NON lasciare la spazzola o il disco sulla macchina durante le pause di utilizzo

NON permettere che persone inesperte, non autorizzate, o non idoneamente addestrate utilizzino la macchina.

NON utilizzare la macchina se i serbatoi delle soluzioni non sono correttamente montati sulla macchina, come riportato nelle istruzioni.

NON pretendere che la macchina funzioni regolarmente e sia affidabile se non è mantenuta correttamente

NON passare la macchina sopra il cavo di alimentazione durante l'uso

NON sollevare la macchina o tirarla utilizzando le levette; usare l'impugnatura principale

NON togliere l'impugnatura dalla macchina, se non per interventi di manutenzione e riparazioni

AVVERTENZA!

Usare soltanto le spazzole fornite con l'apparecchio o quelle specificate nel libretto d'istruzioni. Utilizzando altre spazzole si può pregiudicare la sicurezza. Per questo prodotto è stata realizzata una completa gamma di spazzole ed accessori. Utilizzare soltanto spazzole o dischi indicati al lavoro da eseguire e adatti alla macchina.

AVVERTENZA:

Assemblare correttamente questa apparecchiatura ed utilizzarla in ottemperanza alle normative di sicurezza in vigore. Quando si utilizza l'apparecchiatura, verificare che siano state prese tutte le precauzioni necessarie al fine di garantire la sicurezza dell'operatore e di terzi. Indossare calzature antiscivolo durante la pulizia, e la maschera di protezione in ambienti polverosi.

Scollare la macchina dalla fonte di energia prima di eseguire interventi di pulizia, revisione o manutenzione della macchina, di sostituire pezzi o di convertire ad una funzione diversa: togliere la spina per scollegare le macchine collegate alla rete, o lo spillo isolante nel caso delle macchine a batteria.

RUMORE E VIBRAZIONI:

Livello sonoro durante l'utilizzo (L_{pA}) <78dB(A)

Durante l'utilizzo della macchina le braccia dell'operatore subiscono vibrazioni di 5m/s².

N.B.:

Nel caso di alcune applicazioni i livelli di rumore e vibrazioni possono superare i valori indicati. Se il rumore supera 85dB(A) proteggere opportunamente l'udito.



FORSIKTIG!

Les brukshåndboken før utstyret brukes.

ADVARSEL!

I likhet med alt elektrisk utstyr må også dette brukes med forsiktighet og omtanke, og for å sikre trygg bruk må forebyggende vedlikehold utføres med jevne mellomrom. Hvis dette ikke gjøres, og hvis deler skiftes ut med noe annet enn deler av riktig standard, kan utstyret bli utrygt å bruke, og produsenten kan ikke holdes ansvarlig på noen måte. Ved bestilling av reservedeler må modellnr./serienr. på dataskiltet oppgis.

MERK:

Dette utstyret egner seg også til kommersiell bruk, som f.eks. i hoteller, skoler, hospitaler, fabrikker, butikker og kontorer, annet enn vanlig husholdningsbruk

ADVARSEL!

Dette utstyret er ikke beregnet på å suge opp farlig støv

FORSIKTIG

Maskinen må ikke brukes på flater som har en større helling enn det som er angitt på maskinen. $\triangle 2\%$.

NOEN VIKTIGE PUNKTER.

- Det er KUN kvalifiserte folk som må pakke ut/sette utstyret sammen.
- Hold utstyret rent.
- Hold alltid børstene i god stand.
- Slitte eller skadede deler må straks skiftes.
- Undersøk strømkabelen med jevne mellomrom med tanke på skade, sprekker eller forringelse. En kabel som ikke er helt i orden må skiftes før utstyret brukes.
- Kabelen må kun skiftes ut med en riktig kabel, godkjent av Numatic.
- Pass på at arbeidsområdet er uten hindringer og/eller folk.
- Pass på at arbeidsområdet er godt opplyst.
- Fei rent området som skal rengjøres.

- BRUK ALDRI damprengjøringsmidler eller trykkvaskere til å rengjøre maskinen, og bruk den aldri i regnvær.
- Forsøk aldri å vedlikeholde eller reparere utstyret med mindre støpselet er trukket ut av stikkkontakten.
- Forsøk aldri å reparere utstyret selv - tilkall ekspert.
- Trekk aldri i kabelen for å trekke støpselet ut eller av andre grunner.
- La aldri børsten eller puten bli sittende på utstyr som ikke er i bruk.
- Utstyret må ikke brukes av uerfarne eller uvedkommende eller noen som ikke har skikkelig opplæring.
- Utstyret MÅ IKKE brukes med mindre tankene for oppløsning sitter riktig på plass som vist i anvisningene.
- Vent ikke at utstyret blir pålitelig i drift uten at det gis skikkelig og riktig vedlikehold.
- Utstyret må aldri føres over strømkabelen under bruk.
- Utstyret må aldri løftes eller trekkes ved hjelp av noen av kontrollene. Bruk håndtaket!
- Ta ikke håndtaket av utstyret, bortsett fra for service og reparasjon.

ADVARSEL.

Bruk kun børstene som følger med utstyret, eller dem som står spesifisert i brukshåndboken. Bruk av andre børster kan sette sikkerheten i fare. Det finnes et stort utvalg børster og annet tilbehør til dette utstyret. Bruk kun børster eller puter som egner seg til maskinen og det bestemte arbeid som utføres.

ADVARSEL!

Det er viktig at dette utstyret settes riktig sammen og brukes ifølge eksisterende sikkerhetsbestemmelser. Pass alltid på at alle nødvendige forholdsregler tas med tanke på brukerens og andres sikkerhet. Bruk skliskre sko ved skuring. Bruk støvmaske under støvfylte forhold.

Når utstyret rengjøres, overhales eller vedlikeholdes, deler skiftes eller det omdannes til andre arbeidsoppgaver, må strømmen først slås av. Hvis utstyret drives fra nettet må støpselet trekkes ut av kontakten; hvis det er batteridrevet må skillestiften trekkes ut.

STØY OG VIBRASJON:

Lydnivå i bruk (L_{pA}) <78dB(A)

Ved bruk utsettes armen for et vibrasjonsnivå på <2.5 m/s².

MERK:

Disse verdiene kan overskrides under visse arbeidsoppgaver. Bruk egnet hørselvern hvis støynivået overskrider 85 dB(A).



FÖRSIKTIGHET

Läs bruksanvisningen innan apparaten används.

VARNING

Såsom med all elektrisk utrustning måste alltid försiktighet iakttagas vid användande och dessutom måste rutinemässigt och förebyggande underhåll göras med jämna mellanrum för att se till att maskinen fungerar på ett säkert sätt. Misslyckande att utföra nödvändigt underhåll, inklusive byte av delar i enlighet med korrekt standard, kan göra utrustningen farlig och tillverkaren accepterar inget ansvar eller har inga skyldigheter när det gäller detta.

Angi det modell- och serienummer som finns på typskylten vid beställning av reservdelar.

OBS:

Denna maskin lämpar sig också för offentlig användning såsom i hotell, skolor, sjukhus, fabriker, butiker och kontor för andra ändamål än normala hemvårdsuppgifter.

VARNING:

Den här maskinen passar inte för att suga upp våldigt damm.

VARNING

Använd inte på ytor med en lutning som överstiger den vinkel som anges på maskinen. $\triangle 2\%$

ANVÄNDNINGSIKTRUKTIONER:

- Se till att endast kompetenta personer packar upp/monterar ihop maskinen.
- Håll maskinen ren.
- Försäkra dig om att borstarna är i bra skick.
- Byt ut alla slitna eller skadade delar omedelbart.
- Undersök kabeln regelbundet och leta efter tecken på skador, t.ex. sprickor eller ålderstecken. Om skador påträffas måste kabeln bytas före vidare användning.
- Byt endast ut kabeln mot korrekt utbyttesdel godkänd av Numatic.
- Försäkra dig om att arbetsområdet är fritt från hinder och/eller människor.
- Försäkra dig om att arbetsområdet är väl belyst.
- Sopa först området som skall göras rent.

- Använd inte ångrengörare eller tryckrengörare för att rengöra maskinen och använd den inte i regn.
- Utför endast underhåll på maskinen när kontakten är urdragen.
- Låt inte oerfarna personer utföra reparationer. Kontakta experterna.
- Sträck inte sladden eller ryck inte ut den ur kontakten.
- Tag av borste/rondell när maskinen inte används.
- Låt inte maskinen användas av oerfarna eller ej auktoriserade operatörer som inte fått utbildning i användningen.
- Använd inte maskinen om inte lösningstankarna sitter ordentligt på maskinen enligt anvisningarna.
- Förvänta dig inte att maskinen ska fungera problemfritt utan korrekt underhåll.
- Kör inte maskinen över sladden under användandet.
- Lyft eller dra inte i maskinens funktionsanordningar - använd handtaget.
- Ta inte bort handtaget från maskinen utom under service och reparation.

VARNING

Använd endast borstar som medföljer apparaten eller som specificeras i bruksanvisningen. Om andra borstar används kan säkerheten äventyras. En fullständig serie borstar och tillbehör finns för denna produkt. Använd endast borstar eller rondeller som passar maskinen och uppgiften.

VARNING:

Det är väsentligt att denna utrustning monteras korrekt och används i enlighet med gällande säkerhetsbestemmelser. Vid användningen av utrustningen ska du alltid se till att alla nödvändiga förberedelser har gjorts för att försäkra att användaren eller andra personer i närheten är säkra. Bär halkfria skor vid skuring. Använd en skyddsmask i dammig miljöer.

Vid rengöring, service eller underhåll av maskinen, vid byte av delar eller vid övergång från en funktion till en annan skall strömmen vara avstängd. Maskiner som går på nätström görs strömlösa genom att stikkontakten dras ut och batteridrivna maskiner genom att isoleringsstiftet tas ut.

LJUD OCH VIBRATIONER:

Bullernivå under användningen (L_{pA}) <78dB(A)

Operatörens armar utsätts för en vibrationsnivå på <2.5m/s² när maskinen används.

OBS:

Vid viss typ av arbete kan ljudtrycket överskrida angivet värde. Överstiger ljudtrycket 85dB(A) lämpligt öronskydd måste användas.

**BEMERK**

Læs brugsvejledningerne før maskinen tages i brug.

ADVARSEL:

Alt elektrisk udstyr skal behandles med forsigtighed og bør altid være under opsyn under drift. Af sikkerhedsmæssige årsager bør rutinemæssig og forebyggende vedligeholdelse udføres jævnligt. Vedligeholdelse af udstyret omfatter udskiftning af engangskomponenter med dele, der møder maskinens specifikationer. Manglende vedligeholdelse kan gøre udstyret farligt, i sådanne tilfælde påtager producenten sig ingen forpligtelser og intet ansvar. Ved bestilling af reservedele skal typenummer og serienummer oplyses, disse er anført på maskinen.


BEMERK:

Denne maskine er også egnet til kommercielt brug, f.eks. i hoteller, skoler, hospitaler, fabrikker, forretninger og kontorer til rengøring udover almindelig husholdningsbrug.

ADVARSEL:

Denne maskine er ikke egnet til at suge sundhedsfarligt støv.

ADVARSEL:

Må ikke bruges på gulve med en hældningsgrad, der overstiger værdien angivet på apparatet.  2%

VIGTIGE HENVISNINGER:

- Sørg for at kvalificeret personale foretager udpakning og samling af udstyret.
- Sørg for at holde maskinen ren.
- Sørg for at holde børsterne i god stand.
- Sørg for at udskifte slidte eller defekte dele omgående.
- Den strømførende ledning skal jævnligt efterses for skader så som revner eller slid. Hvis ledningen er beskadiget, skal den udskiftes, før maskinen må tages i brug igen.
- Ledningen må kun udskiftes med den rette reservedel godkendt af Numatic.
- Sørg for at ingen uvedkommende er til stede, og arbejdsområdet er ryddet for hindringer.
- Sørg for at arbejdsområdet er godt belyst.
- MAN SKAL først feje det område, der skal rengøres.

- Damp- eller tryk-rengøringsmaskiner MÅ ALDRIG BRUGES til rengøring af maskinen. Maskinen MÅ ALDRIG BRUGES i regnvejr.
- Der må IKKE udføres vedligeholdelsesarbejde eller rengøring af maskinen, medmindre stikket er trukket ud af kontakten.
- Lad KUN fagfolk udføre reparationer.
- Undgå at strække ledningen eller belaste den ved at trække stikket ud med ryk i ledningen.
- Sørg for at afmontere børste/skrubbe når de ikke er i brug.
- MAN MÅ ALDRIG lade uerfarne eller uautoriserede personer, eller folk der ikke har modtaget passende træning, bruge maskinen.
- MAN MÅ ALDRIG bruge maskinen, hvis opløsningsbeholderne ikke sidder ordentligt, som vist i brugsvejledningerne.
- Denne maskine kan IKKE forventes at arbejde pålideligt og problemfrit, MEDMINDRE den vedligeholdes ordentligt.
- Maskinen må IKKE føres over den strømførende ledning under drift.
- Maskinen må IKKE løftes eller trækkes ved betjeningshåndtagene, brug det dertil egnede håndtag.
- Maskinens håndtag må KUN afmonteres for serviceeftersyn og reparation.

ADVARSEL

Man må kun bruges med de børster, der leveres med maskinen, eller de børster der beskrives i brugsvejledningen. Hvis der bruges andre børster, er der fare for sikkerheden. Der findes et stort sortiment af børster og andet tilbehør til dette produkt. Sørg for kun at bruge børster og skruber der er beregnet til den påtænkte opgave.

ADVARSEL:

Det er yderst vigtigt, at udstyret samles rigtigt og betjenes i overensstemmelse med gældende sikkerhedsregler. Når maskinen er i brug, skal der tages forholdsregler for at garantere operatørens - såvel som andre involverede personers - sikkerhed. Brug skridtsikre sko ved skuring. Brug støvmaske i støvede omgivelser.

STØJ OG VIBRATION:

Støjniveau under brug (L_{pA}) < 78dB(A)

Brugerens arme bliver udsat for et vibrationsniveau på < 2.5m/s², når maskinen er i brug.

BEMERK:

Ved visse opgaver kan støjniveauet overstige ovennævnte. Hvis støjniveauet overstiger 85 dB(A), der skal bruges passende hørebeskyttelse.

**ATENÇÃO!**

Antes de utilizar o aparelho leia cuidadosamente o manual de instruções.

ATENÇÃO:

Tal como acontece com todos os equipamentos eléctricos, deverá ter-se sempre muita atenção e cuidado durante a sua utilização, bem como assegurar que todos os procedimentos de manutenção preventiva e de rotina sejam efectuados periodicamente, como forma de garantir a sua operação em condições de segurança. O não cumprimento dos procedimentos de manutenção necessários, incluindo a substituição das peças por um modelo adequado, poderá tornar este equipamento instável, ou fazer com que o fabricante decline qualquer responsabilidade ou obrigação relativamente a esta matéria. Sempre que se proceder à encomenda de peças sobressalentes, não se esqueça de mencionar o Número do Modelo/Número de Série que se encontram especificados na Placa de Identificação do equipamento.

NOTA:

Para além de todas as tarefas domésticas mais vulgares, esta máquina é igualmente adequada para fins comerciais, como por exemplo utilização em hotéis, escolas, hospitais, fábricas, lojas e escritórios.

ATENÇÃO

Não utilize em superfícies cuja inclinação seja superior ao indicado na unidade.  2%

ATENÇÃO:

Esta máquina não é própria para aspirar poeiras nocivas.

RECOMENDAÇÕES:

- Certifique-se de que o desempacotamento e a embalagem da máquina são apenas efectuados por pessoas competentes.
- Mantenha a sua máquina sempre limpa.
- Mantenha as escovas da sua máquina em boas condições de funcionamento.
- Substitua imediatamente quaisquer peças danificadas ou gastas.
- Inspeccione regularmente o cabo de alimentação eléctrica para verificar se existem indícios de danos, como por exemplo fissuras ou envelhecimento. Caso sejam detectados quaisquer danos, substitua o cabo de alimentação antes de voltar a utilizar a máquina.
- Substitua o cabo de alimentação apenas pela peça sobressalente Numatic correcta e aprovada.
- Certifique-se de que a área de trabalho se encontra livre de quaisquer obstáculos e/ou pessoas.
- Certifique-se de que a área de trabalho se encontra bem iluminada.
- Varra previamente a área a ser limpa.
- Não use equipamento de limpeza a vapor ou de lavagem com água a pressão para limpar a máquina nem a utilize à chuva.
- Não efectue qualquer reparação ou limpeza da máquina sem primeiro se certificar que a ficha eléctrica foi retirada da tomada de alimentação.
- Não permita que sejam efectuados trabalhos de reparação por pessoal inexperiente. Utilize pessoas experientes para esse fim.
- Não submeta o cabo de alimentação a esforços excessivos, nem tente retirar a ficha eléctrica da tomada de alimentação puxando pelo cabo.
- Não deixe ficar a escova/coxim na máquina quando esta não estiver a ser utilizada.
- Não permita que a máquina seja utilizada por operadores inexperientes, não autorizados ou que não possuam a formação apropriada.
- Não utilize a máquina sem que os tanques da solução de limpeza se encontrem correctamente posicionados na máquina, tal como se indica nas instruções de utilização.
- Não espere que a máquina permita uma utilização uniforme e sem quaisquer avarias se não efectuar a sua manutenção correcta.
- Não passe com a máquina por cima do cabo de alimentação durante a sua utilização.
- Não eleve ou puxe a máquina por qualquer um dos gatilhos de operação - utilize a pega principal para essa finalidade.
- Não retire a pega da máquina, excepto em situações de manutenção ou reparação.

AVISO!

Utilize apenas as escovas fornecidas com o aparelho ou as especificadas no manual de instruções. A utilização de outro tipo de escovas poderá afectar a segurança da máquina. Existe uma vasta gama de escovas e acessórios disponíveis para este produto. Utilize apenas escovas ou coxins que adequados a operação correcta da máquina, tendo em conta a tarefa específica a ser executada.

ATENÇÃO:

É extremamente importante que este equipamento seja correctamente montado e utilizado de acordo com os regulamentos de segurança em vigor. Sempre que utilizar o equipamento assegure-se de que são tomadas todas as medidas de precaução no sentido de garantir a protecção do operador e de todas as outras pessoas que poderão ser afectadas. Use calçado anti-derrapante sempre que efectuar as lavagens com a escova. Utilize uma máscara respiratória quando trabalhar em ambientes poeirentos. Sempre que limpar, reparar, ou efectuar trabalhos de manutenção na máquina, substituir peças ou converter a máquina para outra finalidade, a alimentação eléctrica deverá encontrar-se sempre desligada. As máquinas operadas com energia eléctrica deverão ser desligadas retirando a ficha do cabo de alimentação e as máquinas operadas com baterias deverão ser desligadas retirando para o efeito o pino isolador.

RUÍDO E VIBRAÇÃO:

Nível Sonoro em utilização (L_{pA}) < 78dB(A)

Os braços dos operadores estão sujeitos a um nível de vibração de < 2.5m/s² durante a utilização da máquina.

NOTA:

Em algumas aplicações, os níveis de ruído ou vibração poderão exceder os valores mencionados. Se os níveis de ruído forem superiores a 85 dB(A), deverá utilizar-se protecção auditiva apropriada.



ΜΥΙΣΤΥΤΟΣ

Λυε käyttöopas ennen laitteen käyttämistä.

VAROITUS:

Tätä laitetta, kuten kaikkia sähkölaitteita, on käsiteltävä varoen, ja sen huolto on suoritettava säännöllisesti sen turvallisen käytön varmistamiseksi. Mikäli laitetta ei huolleta vaadittavalla tavalla ja mikäli käytetään muita kuin asianmukaiset ominaisuudet täyttävää varaosia, laite ei ehkä ole turvallinen käyttää, ja tällöin valmistaja ei ota minkäänlaista vastuuta tilanteesta.

Varaosia tilattaessa on ilmoitettava tehokilven määrittämä mallinumero/sarjanumero.

HUOMAUTUS:

Tämä kone sopii käytettäväksi myös julkisissa tiloissa kuten esimerkiksi hotelleissa, kouluissa, sairaaloissa, tehtaissa, myymälöissä ja toimistoissa muihin kuin normaaleihin kotiloustaroituksiin.

VAROITUS:

Tämä kone ei sovi käytettäväksi terveydelle vaarallisen pölyn imuroimiseen.

ΜΥΙΣΤΥΤΟΣ:

Älä käytä pinoilla, joiden kaltevuus on laitteeseen merkittyä kaltevuutta suurempi. $\triangle 2\%$

TÄRKEÄÄ

Anna koneen purkaus/kokoaminen ainoastaan asiantuntevan henkilön suoritettavaksi.

Pidä laite puhtaina.

Pidä harjat hyväkuntoisina.

Vaihda välittömästi kuluneet tai vahingoittuneet osat.

Tarkasta sähköjohto säännöllisesti mahdollisen vaurioitumisen, kuten halkeamien tai kulumisen, varalta. Jos johto on vaurioitunut, vaihda se ennen laitteen käyttämistä uudelleen.

Sähköjohto vain vastaavaan Numaticin hyväksymään sähköjohtoon.

Varmista, että työskentelyalue on esteeton ja että lähellä ei ole muita ihmisiä.

Varmista, että työskentelyalue on hyvin valaistu.

Muista lakaista alue ennen puhdistustöiden suorittamista.

Älä käytä höyrypuhdistimia tai painepesulaitteita koneen puhdistamiseen äläkä käytä saateissa.

Älä ryhdy suorittamaan koneen huoltoa tai puhdistusta ennen kuin olet irrottanut sähköjohtoon pistorasiasta.

Älä anna korjauksia kokemattomien henkilöiden suoritettavaksi. Kutsu paikalle asiantuntevaa apua.

Älä vedä sähköjohtosta äläkä irrota konetta pistorasiasta sähköjohtosta vetämällä.

Älä jätä harjaa/sovitinta koneeseen, kun sitä ei käytetä.

Älä anna kokemattomien, valtuuttamattomien tai asianmukaisen koulutuksen omaamattomien henkilöiden käyttää konetta.

Älä käytä konetta ellei koneen nestesäiliöitä ole asetettu koneeseen asianmukaisella ohjeiden osoittamalla tavalla.

Älä oleta koneen toimivan moitteettomasti ellei ole huolehtinut sen hoidosta ja huollosta.

Älä aja konetta sähköjohtoon yli konetta käytettäessä.

Älä nosta äläkä vedä konetta sen käyttöviivusta - käytä näissä toimissa koneen kahvaa.

Älä irrota kahvaa koneesta muulloin kuin huolto- ja korjaustöiden sitä vaatiessa.

VAROITUS

Käytä vain laitteen yhteydessä toimitettuja harjoja tai käyttöoppaan määräyksen mukaisia harjoja. Muiden harjojen käyttö voi vaarantaa turvallisuuden. Tätä tuotetta varten on tarjolla täysin kattava harja- ja sovitinvalikoima. Käytä vain sellaisia harjoja ja sovitimia, jotka sopivat koneen käyttämiseksi kyseiseen työkohteeseen.

VAROITUS:

On ehdottoman tärkeää, että kone on koottu oikein ja että sitä käytetään yleisten turvallisuusasetusten mukaisesti. Konetta käytettäessä on ryhdyttävä kaikkiin tarvittaviin varotoimiin käyttäjän ja muiden henkilöiden turvallisuuden varmistamiseksi. Käytä luistamattomia jalkineita puhdistusta suoritettaessa. Virtalähteen on oltava katkaistuna konetta puhdistettaessa, hoidettaessa tai huollettaessa, osia vaihdettaessa tai koneen toimintoa muutettaessa.

Sähkökäyttöisten koneiden virta on katkaistava sähkökosketin irrottamalla ja paristokäyttöiset koneet on irtikytkettävä eristyspistiketappi poistamalla.

MELU JA TÄRINÄ:

Äänitaso käytettäessä (L_{pA}) <78dB(A)

Käyttäjän käsivarsiin kohdistuva värinäso konetta käytettäessä on <2.5m/s.



ΠΡΟΣΟΧΗ!

Διαβάστε το εγχειρίδιο οδηγιών προτού χρησιμοποιήσετε τη συσκευή.

ΠΡΟΕΙΔΟΠΟΙΗΣΗ:

Όπως με όλο τον ηλεκτρικό εξοπλισμό, θα πρέπει να δίνεται πάντοτε ιδιαίτερη προσοχή κατά τη διάρκεια της χρήσης του, εξασφαλίζοντας έτσι ώστε η συνθήκη και προληπτική συντήρηση να διεξάγονται περιοδικά για τη διασφάλιση της ασφαλούς λειτουργίας. Παράλειψη να διεξάγετε την απαραίτητη συντήρηση, περιλ. της αντικατάστασης των ανταλλακτικών του ορθού προτύπου, μπορεί να επιφέρει ανασφάλεια στον εξοπλισμό αυτό και ο κατασκευαστής δεν θα φέρει καμία ευθύνη ή υποχρέωση με αυτό το θέμα.

ΣΗΜΕΙΩΣΗ:

Το μηχάνημα αυτό είναι επίσης κατάλληλο για εμπορική χρήση, για παράδειγμα σε ξενοδοχεία, σχολεία, νοσοκομεία, εργοστάσια, καταστήματα και γραφεία για σκοπούς πέραν της συνηθισμένης οικιακής χρήσης.

ΠΡΟΣΟΧΗ

Μην το χρησιμοποιήσετε πάνω σε επιφάνειες που έχουν κλίση πέραν εκείνης που σημειώνεται στη συσκευή. $\triangle 2\%$

ΠΡΟΕΙΔΟΠΟΙΗΣΗ:

Το μηχάνημα αυτό δεν είναι κατάλληλο για τη συλλογή επικίνδυνης σκόνης.

ΤΙ ΝΑ ΚΑΝΕΤΕ ΚΑΙ ΤΙ ΝΑ ΜΗΝ ΚΑΝΕΤΕ

- ΝΑ εξασφαλίζετε έτσι ώστε μόνο κατάλληλα πρόσωπα να αποσκευάζουν/συναρμολογούν το μηχάνημα
- ΝΑ διατηρείτε το μηχάνημά σας καθαρό
- ΝΑ διατηρείτε τις ψίκτρες σας σε καλή κατάσταση
- ΝΑ αλλάζετε αμέσως τυχόν χαλασμένα ή κατεστραμμένα ανταλλακτικά
- ΝΑ εξετάζετε ταχτικά το καλώδιο ρεύματος για τυχόν βλάβη, όπως σπάσιμο ή πάλιωμα. Αν διαπιστωθεί βλάβη, αντικαταστήστε το καλώδιο πριν από άλλη χρήση.
- ΝΑ αλλάζετε το καλώδιο ρεύματος μόνο με το ορθό εγκεκριμένο εξάρτημα ανταλλακτικού Numatic.
- ΝΑ βεβαιώνετε ότι ο χώρος εργασίας είναι καθαρός από εμπόδια και/ή κόσμο
- ΝΑ βεβαιώνετε όπως ο χώρος εργασίας είναι καλά φωτισμένος.
- ΝΑ σκουπίζετε προηγουμένως τον χώρο που πρόκειται να καθαριστεί.

- ΝΑ ΜΗΝ χρησιμοποιείτε καθαριστήρες ατμού ή πλυντήρια πίεσης για να καθαρίζετε τη μηχανή ή να την χρησιμοποιείτε κάτω από τη βροχή.
- ΝΑ ΜΗΝ προσπαθείτε να κάνετε συντήρηση ή καθαρισμό του μηχανήματος, εκτός αν η πρίζα του ρεύματος έχει αφαιρεθεί από την παροχή ρεύματος
- ΝΑ ΜΗΝ επιτρέψετε επισκευές να γίνονται από μη έμπειρο πρόσωπο. Καλέστε ειδικό πρόσωπο
- ΝΑ ΜΗΝ τεντώνετε το καλώδιο ή να προσπαθείτε να βγάλετε την πρίζα τραβώντας το καλώδιο
- ΝΑ ΜΗΝ αφήνετε τη ψίκτρα/παρέμβλημα πάνω στο μηχάνημα όταν δεν χρησιμοποιείται
- ΝΑ ΜΗΝ αφήνετε στο μηχάνημα να χρησιμοποιείται από μη έμπειρους ή μη εξουσιοδοτημένους χειριστές ή που δεν διαθέτουν την κατάλληλη κατάρτιση.
- ΝΑ ΜΗΝ χρησιμοποιείτε το μηχάνημα χωρίς να είναι καλά τοποθετημένες οι δεξαμενές διαλύματος πάνω στο μηχάνημα, όπως φαίνεται στις οδηγίες.
- ΝΑ ΜΗΝ αναμίνετε από το μηχάνημα να προσφέρει απλή, οίγουρη λειτουργία εκτός αν αυτό συντηρείται σωστά
- ΝΑ ΜΗΝ λειτουργείτε το μηχάνημα επάνω από καλώδια ρεύματος κατά τη διάρκεια της λειτουργίας.
- ΝΑ ΜΗΝ σηκώνετε ή να τραβάτε το μηχάνημα με κάποιο από τους μοχλούς λειτουργίας - χρησιμοποιήστε την κύρια λαβή.
- ΝΑ ΜΗΝ αφαιρείτε τη λαβή από το μηχάνημα εκτός για σέρβις και επισκευή.

ΠΡΟΕΙΔΟΠΟΙΗΣΗ:

Να χρησιμοποιείτε μόνο ψίκτρες που παρέχονται μαζί με τη συσκευή ή εκείνες που καθορίζονται στο εγχειρίδιο οδηγιών. Η χρήση άλλων ψίκτρων μπορεί να αδυνατίσει την ασφάλεια. Διατίθεται πλήρης σειρά ψίκτρων και εξαρτημάτων για αυτό το προϊόν. Να χρησιμοποιείτε μόνο ψίκτρες και παρεμβύσματα που είναι κατάλληλα για την ορθή λειτουργία του μηχανήματος για το ειδικό θέμα εργασίας που εκτελείται.

ΠΡΟΕΙΔΟΠΟΙΗΣΗ:

Είναι απαραίτητο όπως ο εξοπλισμός αυτός συναρμολογείται σωστά και λειτουργεί σύμφωνα με τους ισχύοντες κανονισμούς ασφαλείας. Όταν χρησιμοποιείτε τον εξοπλισμό, βεβαιωθείτε όπως λαμβάνονται τα απαραίτητα μέτρα για να εγγυώνται την ασφάλεια του χειριστή και των άλλων προσώπων που μπορεί να επηρεάζονται. Να φοράτε παπούτσια που να μην γλιστρούν όταν καθαρίζετε. Να χρησιμοποιείτε αναπνευστική μάσκα σε περιβάλλοντα σκόνης. Όταν καθαρίζετε, κάνετε σέρβις ή συντηρείτε το μηχάνημα, ή όταν αλλάζετε εξαρτήματα ή μετατρέψετε σε άλλη λειτουργία, η πηγή ενέργειας θα πρέπει να είναι θησιτή. Τα μηχανήματα που λειτουργούν από την κεντρική παροχή ρεύματος θα πρέπει να αποσυνδέονται αφαιρώντας την πρίζα του ηλεκτρισμού, και τα μηχανήματα που λειτουργούν με μπαταρίες θα πρέπει να αποσυνδέονται αφαιρώντας την περόνη μόνωσης.

ΘΥΡΥΟΣ ΚΑΙ ΔΟΝΗΣΗ:

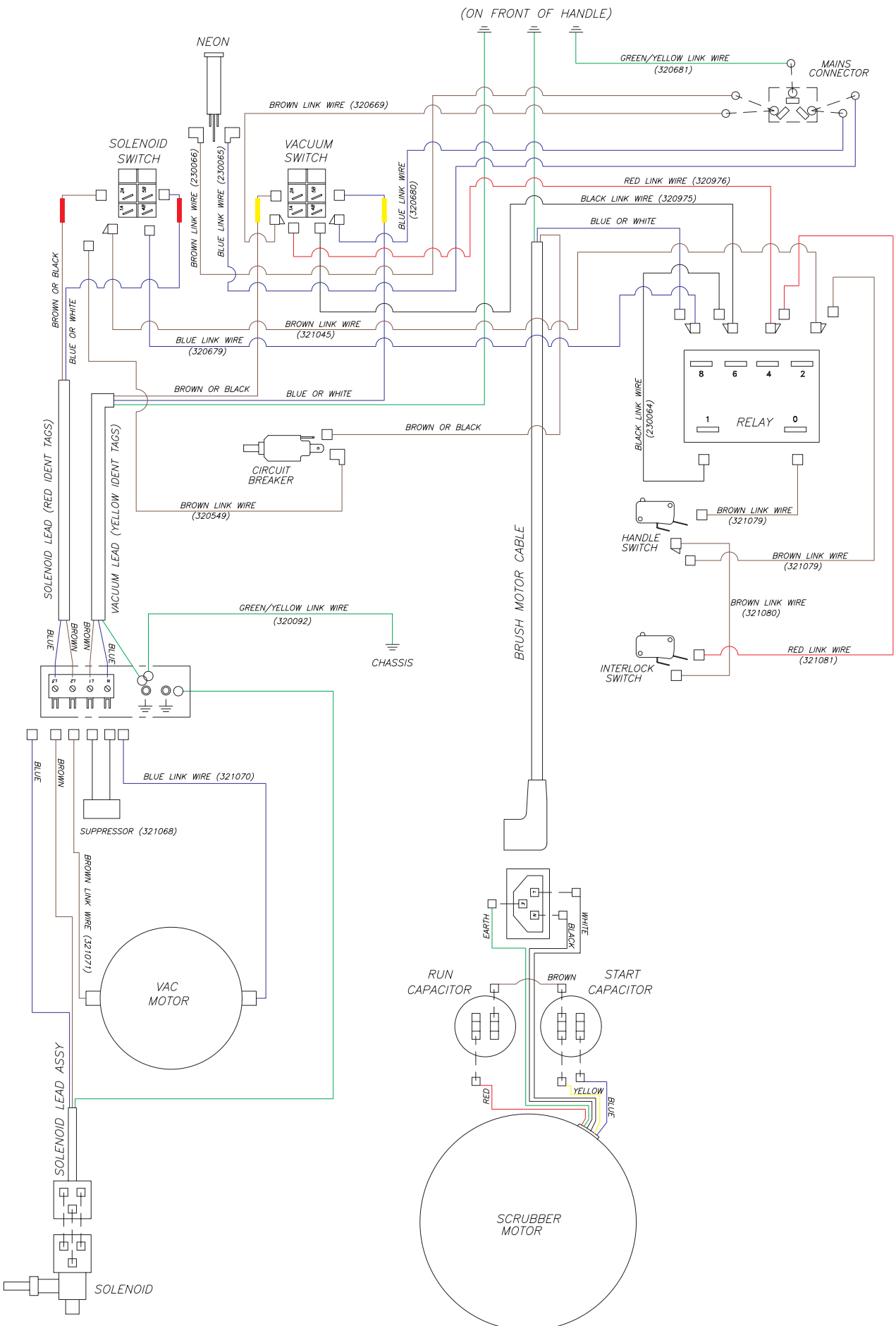
Στάθμη ήχου εν χρήσει (L_{pA}) <78dB(A)

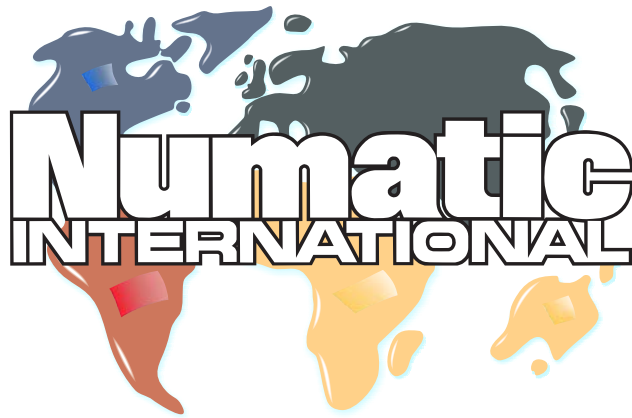
Οι βραχιόνες των χειριστών υπόκεινται σε στάθμη δόνησης του ύψους των <2.5m/s² όταν χρησιμοποιείτε το μηχάνημα.

ΣΗΜΕΙΩΣΗ:

Σε μερικές εφαρμογές, η στάθμη θορύβου ή δόνησης μπορεί να υπερβαίνουν τα νούμερα που καθορίζονται. Εάν η στάθμη του θορύβου υπερβαίνει τα 85dB(A) Να χρησιμοποιείται η κατάλληλη προστασία των αυτιών.

TWINTTEC HANDLE / VAC / BASE





Numatic International Limited,
 Chard, Somerset TA20 2GB
<http://www.numatic.co.uk>
 Tel: 01460 68600 Fax: 01460 68458

SERIAL NUMBER

AFFIX LABEL HERE

MODEL NUMBER

INSPECTED BY:

PACKED BY:

SUPPLIED BY:

TT-6450S

								
Brush Motor	Vacuum Motor	Power	Speed	Brush size	Capacity	Cleaning Range	Weight	Dimensions
1000W	1200W	230V AC 50Hz 115V AC 50Hz 120V AC 60Hz	50Hz = 150rpm 60Hz = 180rpm	450mm	30L	42m	57Kg	1150 x 1030 x 740mm

TT-4550S

								
Brush Motor	Vacuum Motor	Power	Speed	Brush size	Capacity	Cleaning Range	Weight	Dimensions
1200W	1200W	230V AC 50Hz 115V AC 50Hz 120V AC 60Hz	50Hz = 150rpm 60Hz = 180rpm	550mm	40L	42m	68Kg	1150 x 1110 x 850mm